



Sugar Industry

MADE IN ITALY

 **REGGIANA
RIDUTTORI**
PLANETARY REDUCTION **GEARS**



COMPLETE DRIVE SYSTEMS

for the Sugar Industry

With over 400 Mill & PF installations worldwide and a multitude of installed drives all over the sugar process, Reggiana Riduttori is one of the world's leading companies in the design and manufacture of gearboxes for a wide variety of power transmission applications for the Sugar industry. Proud to be a key player in the **drive system** supply chain, Reggiana Riduttori has proven the highest standards in engineering, innovation, quality and state of the art manufacturing with years of service to the sugar industry with great results.

Our products are **100% manufactured** in our headquarters in **Italy**.

They are designed to resist intense application cycles, granting performances beyond expectations.

All products in our range can be equipped with **custom made accessories**, and **supplied complete with motor, VFD, panel, MCC**. To ensure a perfect and simple assembly in the sugar factory, we support our customers with **installation and commissioning services**.



**COMPLETE DRIVE SYSTEMS,
TURN KEY SOLUTION PROVIDER**



**ALL APPLICATIONS SERVED: FROM CANE FIELDS TO
SUGAR BAGGING**



**WORLDWIDE TRAINING, COMMISSIONING AND AFTER
SALES SERVICES**



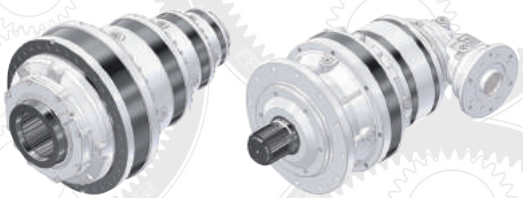
**DEDICATED SUGAR TECHNOLOGY
TEAM & APPLICATION ENGINEERS**



**YOUR
PARTNER
IN SUGAR
PROCESSING**

FULL RANGE FOR THE SUGAR PROCESSING

RR/RA



T2max Nm=1,200-4,300,000
Ratio=3.4-5061

Modular planetary reduction gears.

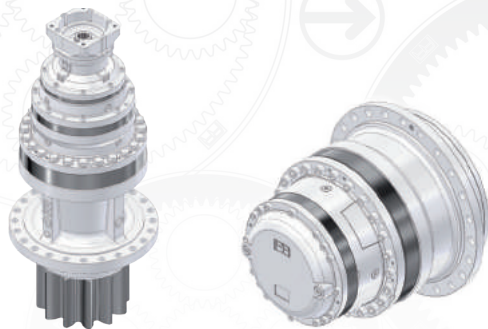
RRTD/RRWD



T2max Nm=1,000-50,000
Ratio=5-179

Compact planetary drives.

FF/W



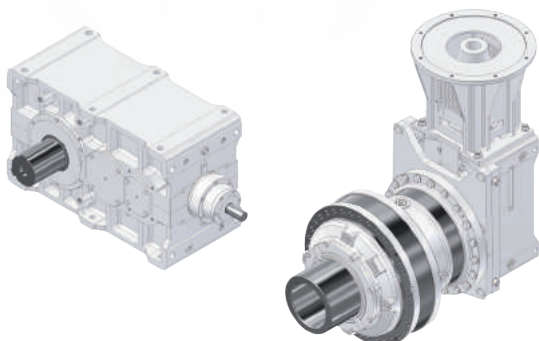
T2max Nm=1,200-210,000
Ratio=3.4-2500

Slewing solutions.

T2FEM M5(L2-TS) Nm = 39,000 - 170,000

Winch dedicated solutions.

P/RH/RV



T2max Nm=2,500-4,300,000
Ratio=1.12-5061

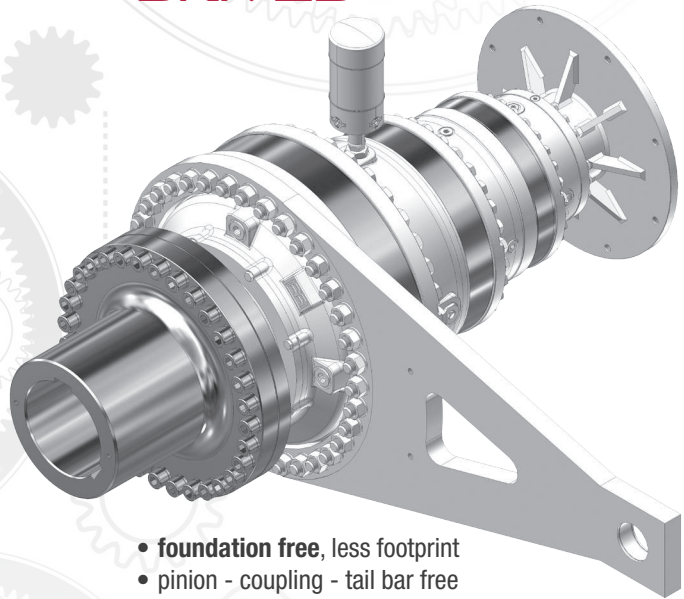
Helical and bevel helical line, combined units.

DEDICATED SOLUTIONS FOR SUGAR MILLS

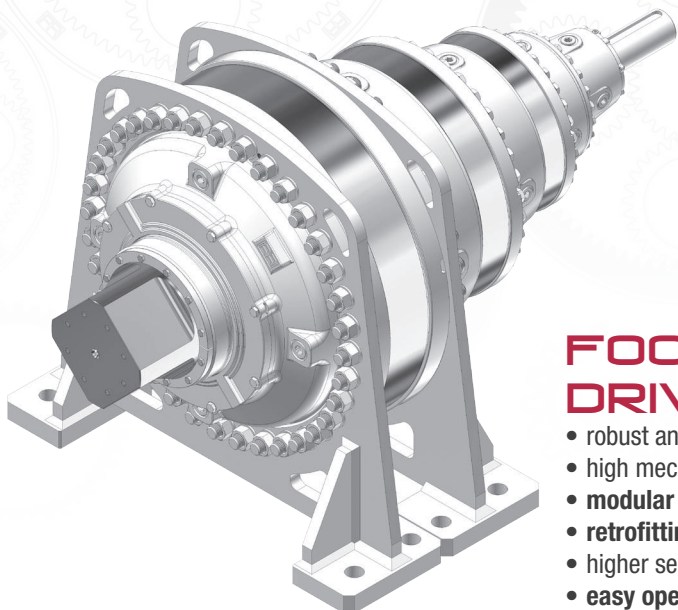


MODEL	T ₂ REF [NM]	P REF [KW]
RR10000	140.000	90
RR15000	200.000	130
RR20000	300.000	190
RR25000	410.000	260
RR40000	575.000	360
RR55000	750.000	470
RR70000	850.000	530
RR85000	950.000	600
RR110000	1.350.000	850
RR150000	1.800.000	1.130
RR190000	2.500.000	1.570
RR240000	3.500.000	2.200

SHAFT MOUNTED DRIVES



- **foundation free**, less footprint
- pinion - coupling - tail bar free
- less power consumption
- **high extractions** and less moisture in bagasse
- reduced stress on headstock and bearings
- **variable** rollers speed
- no issues of misalignment
- **less inventory** and downtime
- extended life of mill's components
- easy maintenance

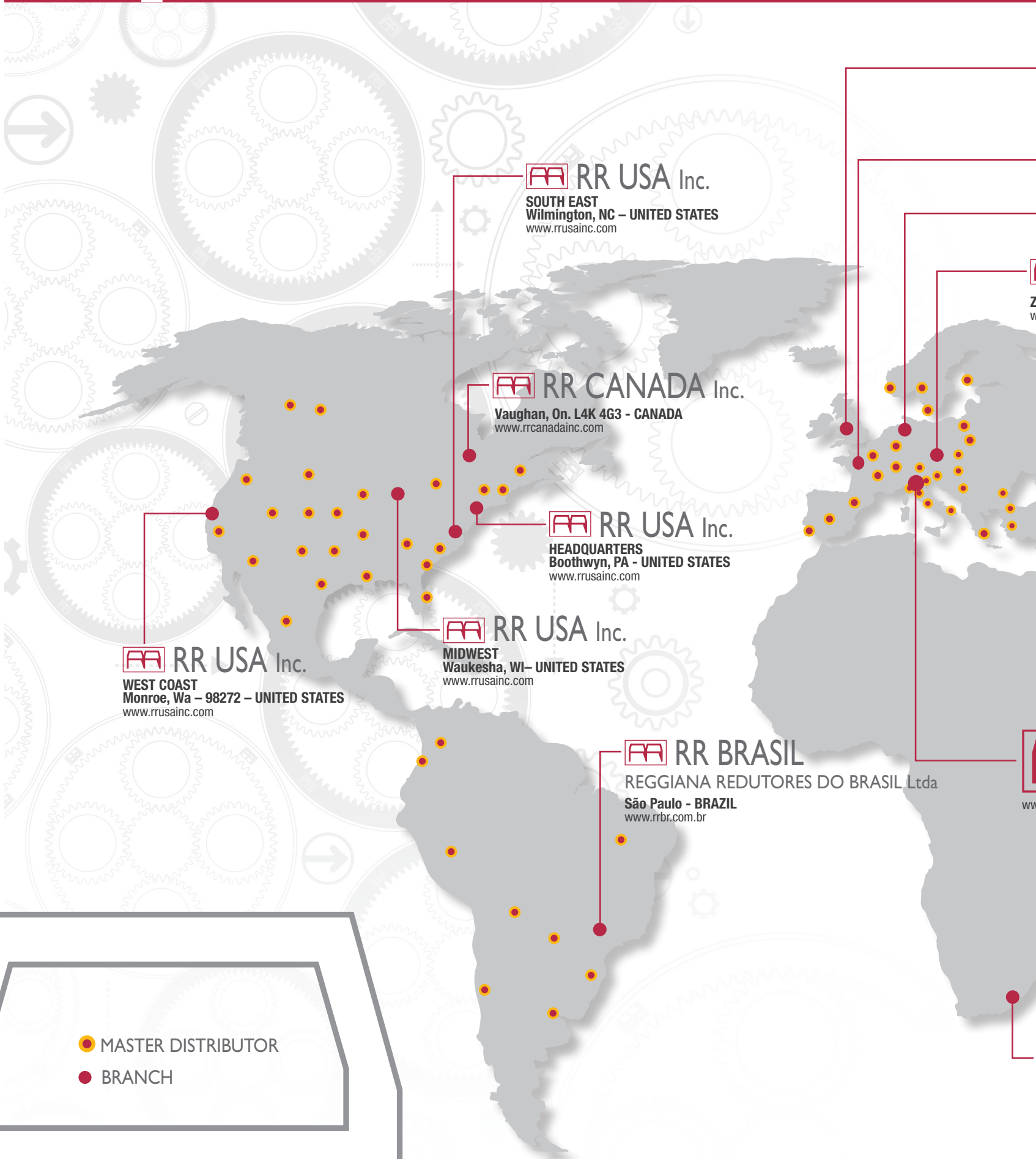


FOOT MOUNTED DRIVES

- **robust and compact design**
- high mechanical efficiency
- **modular composition** and flexible ratio
- **retrofitting** with existing drive motor
- higher service lifetime
- **easy operation and maintenance**



GLOBAL SALES NETWORK



RR UK Ltd
INDUSTRIAL

SILSDEN - West Yorkshire
UNITED KINGDOM
www.reggiana.co.uk

RR FRANCE

Thouare Sur Loire - FRANCE
www.rrfrance.fr

RR HOLLAND

Oosterhout - NETHERLANDS
www.rrholland.nl

RR SLOVAKIA

Zvolen - SLOVAKIA
www.rrslovakia.sk

RR INDIA

New Dehli - INDIA
info@reggianariduttori.com

**REGGIANA
RIDUTTORI**

www.reggianariduttori.com - e-mail: info@reggianariduttori.com

RR PACIFIC

Victoria - AUSTRALIA
www.rrpacific.com

RR SOUTH AFRICA

Johannesbug - RSA
www.engmc.co.za



www.reggianariduttori.com

REGGIANA RIDUTTORI S.r.l.

Via Martiri di Marzabotto,7

42020 - S. Polo d'Enza (RE) - ITALY

tel. +39.0522.259111 - fax +39.0522.874321

info@reggianariduttori.com



 **REGGIANA
RIDUTTORI**
PLANETARY REDUCTION **GEARS**