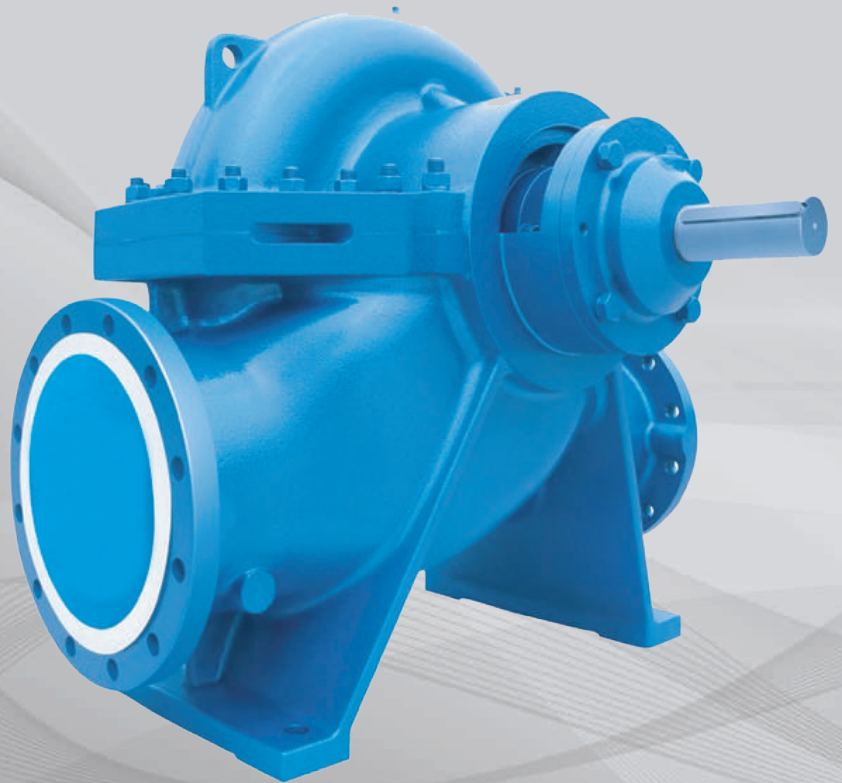




DOUBLE SUCTION SPLIT CASE PUMP

GSC, GSC-V 50Hz/60Hz



Application

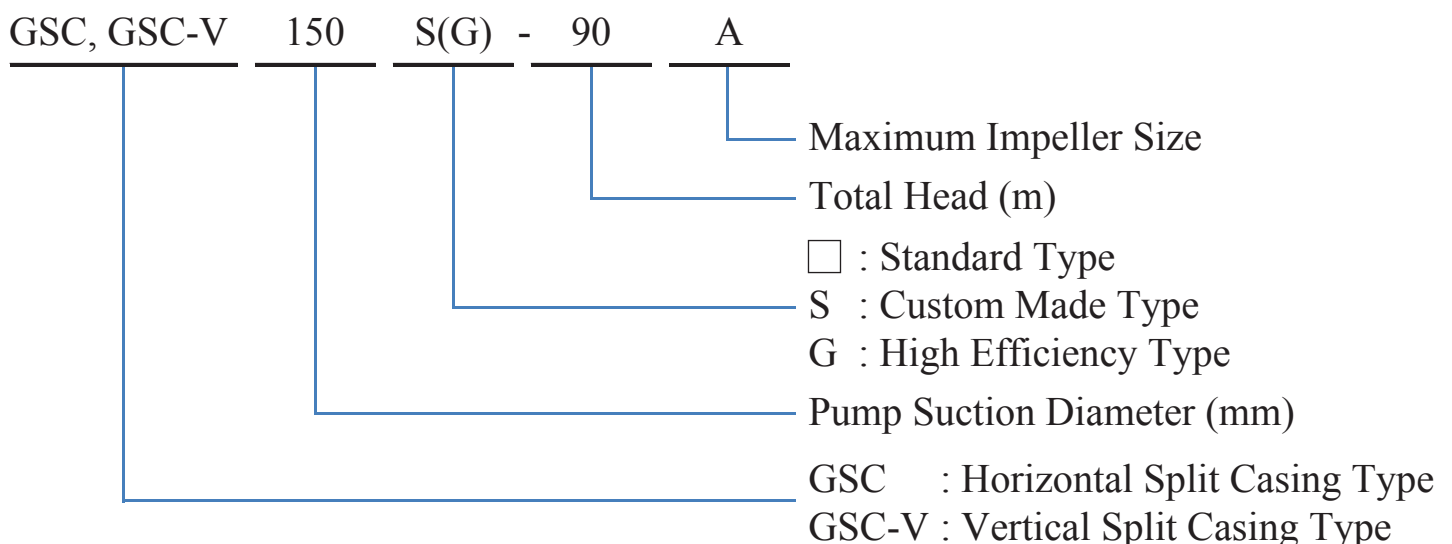
- Water Supply
- Hot & Cold Water Circulation
- Fire Fighting
- Air Conditioning
- Raw Water Supply
- Drainage
- General Industry
- Power Plant



Features

- Axially split case design allows the easy removal of the top casing for services.
- High efficient impeller design guarantees lower energy cost and longer service life.
- It can be horizontal or vertical mounted.
- A wide range of performance with head up to 200m.
- Suction and discharge flange can be in conformity with ANSI or PN standard.
- Maximum pumping temperature of 130 degrees Celsius.

Model Identification



Specification

Description		Standard	Optional
Model		GSC / GSC-V	
Pumping Medium		Clean Water, Industrial Water	
Temperatures		≤ 105 °C	
Allowable Working Pressure		≤ 2.5 MPa	
Material	Casing	Cast Iron	Ductile Cast Iron, Stainless Steel 304, 316, Duplex Stainless Steel
	Impeller	Bronze	Cast Iron, Ductile Cast Iron, Stainless Steel 304, 316, Duplex Stainless Steel
	Shaft	Carbon Steel	Stainless Steel 420, Duplex Stainless Steel
	Shaft Sleeve	Stainless Steel	Stainless Steel 304, 316, Duplex Stainless Steel
	Case Wear Ring	Bronze	Cast Iron, Ductile Cast Iron, Stainless Steel 304, 316, Duplex Stainless Steel
	Impeller Wear Ring	Bronze	Cast Iron, Ductile Cast Iron, Stainless Steel 304, 316, Duplex Stainless Steel
	Mechanical Seal	Carbon/Ceramic	SiC/SiC or Tungsten Carbide/Tungsten Carbide
Ball Bearing		Steel	
Optional Accessories		Electric motor, common base, anchor bolts, shaft coupling, coupling guard.	

Sectional View

Impeller

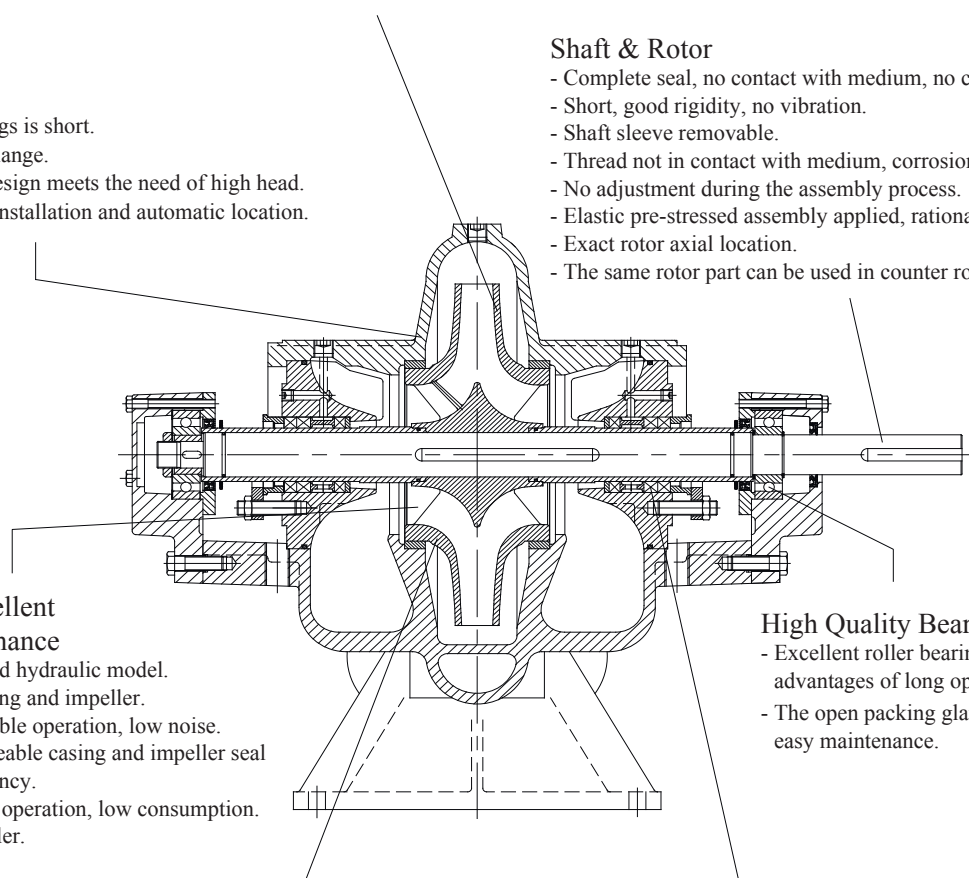
- The double suction impeller reduces axial force.
- Various types of seal rings are for selection.
- The double suction impeller has excellent performance.

Pump Casing

- Linear design
- The distance between bearings is short.
- There is no leakage for the flange.
- The double suction casing design meets the need of high head.
- The pump cover is easy for installation and automatic location.

Shaft & Rotor

- Complete seal, no contact with medium, no corrosion.
- Short, good rigidity, no vibration.
- Shaft sleeve removable.
- Thread not in contact with medium, corrosion resistant, long service time.
- No adjustment during the assembly process.
- Elastic pre-stressed assembly applied, rational dismantling of rotor part.
- Exact rotor axial location.
- The same rotor part can be used in counter rotation.



High Efficiency & Excellent Anti-Cavitation Performance

- Optimally computer-designed hydraulic model.
- Smooth surface of inner casing and impeller.
- Large impeller inlet area, stable operation, low noise.
- Effective application, replaceable casing and impeller seal ring, not reducing the efficiency.
- No vortex at the inlet, stable operation, low consumption.
- Highly anti-cavitation impeller.

High Quality Bearing

- Excellent roller bearing is applied, which has the advantages of long operation time, low noise.
- The open packing gland makes adequate space for easy maintenance.

Wear-Resistance & Corrosion-Resistance, Highly Intense Materials

- Different materials selected for impeller and seal ring.
- Wear-resistant materials applied for easy-wear parts.
- Better material than common grey iron applied for casing.

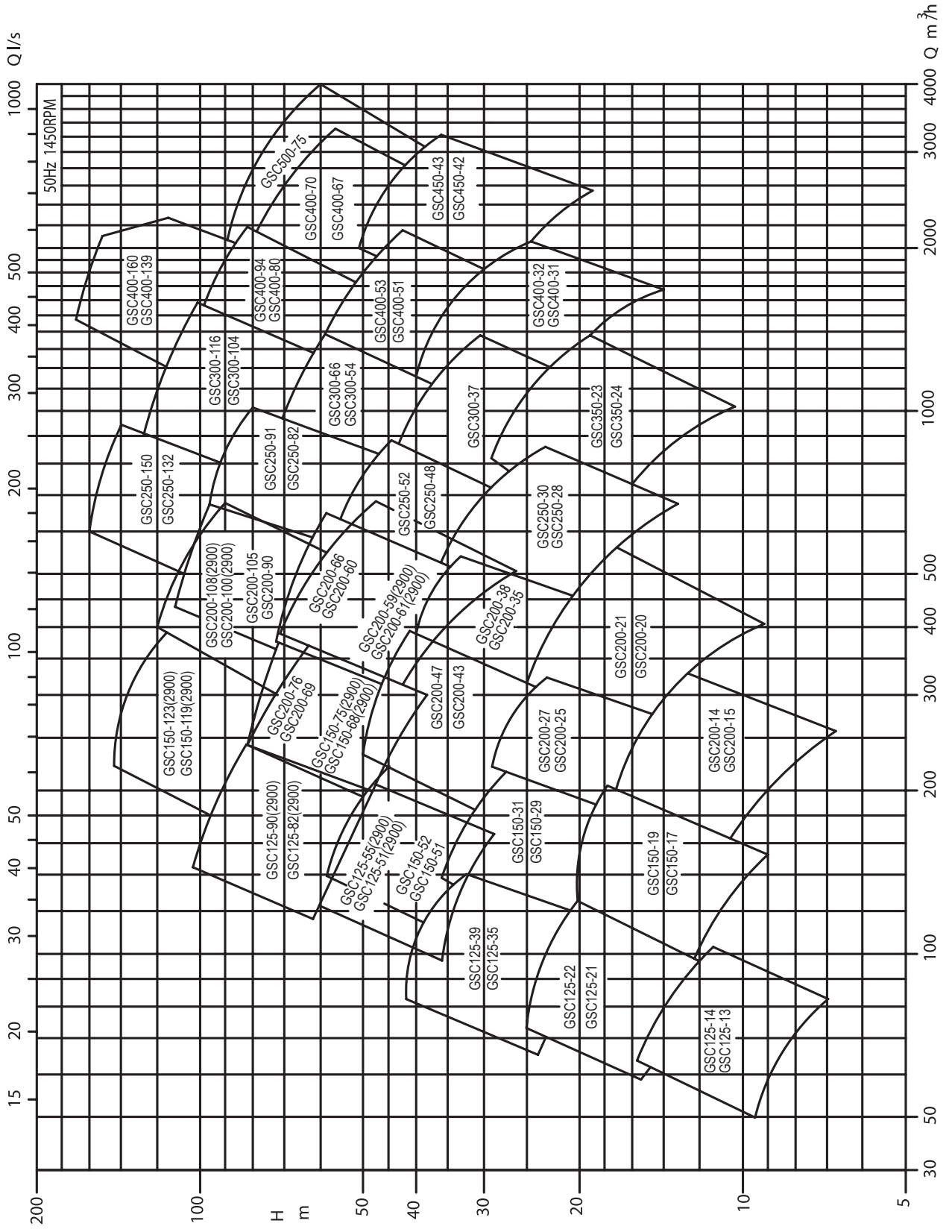
Various Shaft Seal Form

- Asbestos-free soft packing applied to deliver portable water.
- High-quality mechanical seal.
- Various ways applied for the cooling and flushing of shaft seal.

Performance Curve

50Hz (Speed: 1450 rpm - 2900 rpm)

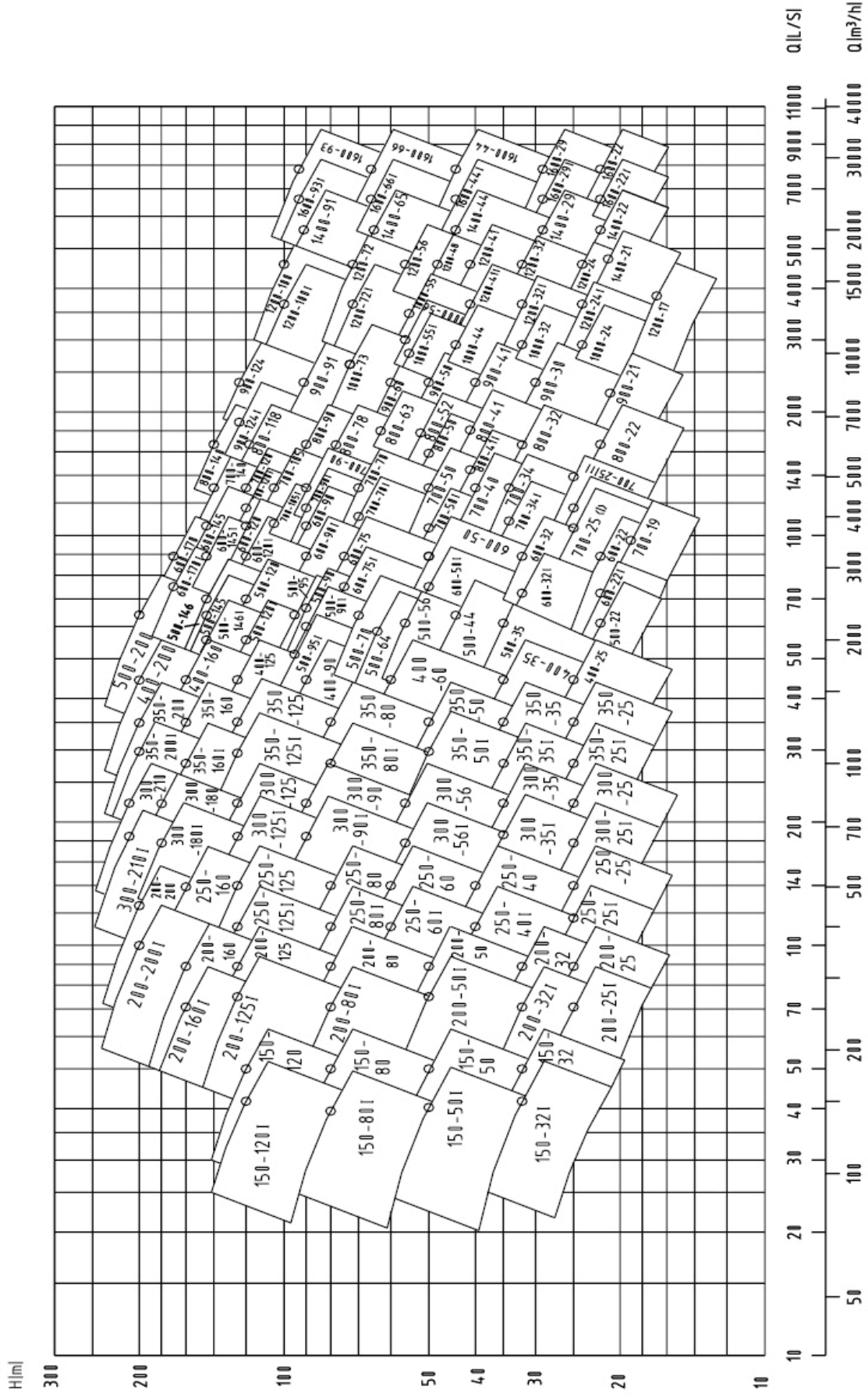
2 Poles / 4 Poles



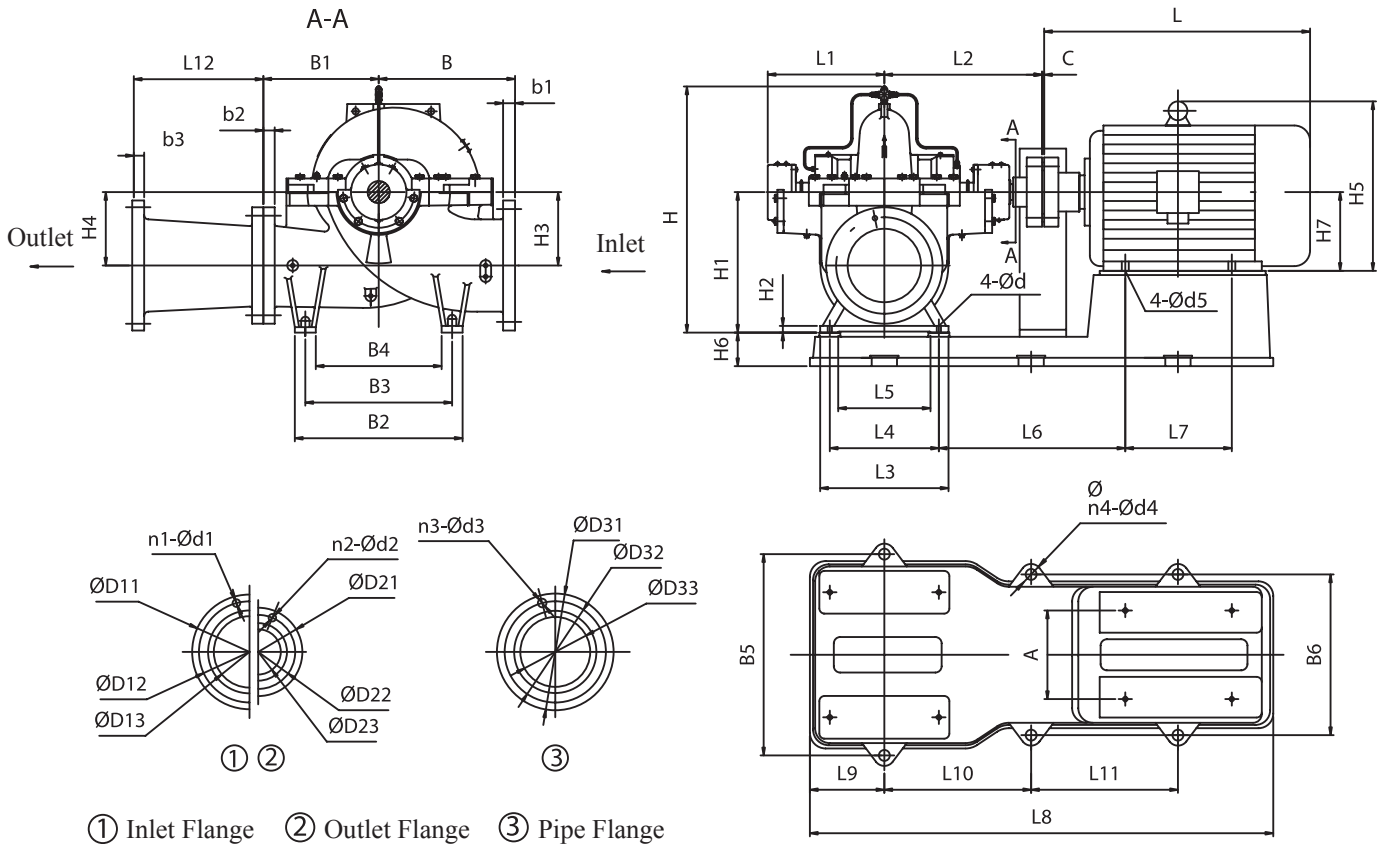
Performance Curve (G Type)

50Hz (Speed: 1450 rpm - 2900 rpm)

2 Poles / 4 Poles



General Arrangement Dimension



Model	Motor	L	L1	L2	L3	L4	L5	L6	L7	L8	L9	L10	L11	B	B1	B2	B3	B4	B5	B6	H	H1	H2	H3	H4	H5	H6	H7	A	d	d4	d5	n4	C
GSC125-550	200L2-2	710	315	415	320	270	210	526	305	1250	206	780	-	300	300	410	340	270	550	550	589	315	32	140	140	475	110	200	318	18.5	25	19	4	3
GSC125-55A	200L1-2	710	315	415	320	270	210	526	305	1250	206	780	-	300	300	410	340	270	550	550	589	315	32	140	140	475	110	200	318	18.5	25	19	4	3
GSC125-55B	200L1-2	710	315	415	320	270	210	526	305	1250	206	780	-	300	300	410	340	270	550	550	589	315	32	140	140	475	110	200	318	18.5	25	19	4	3
GSC125-55C	180M-2	670	315	415	320	270	210	514	241	1222	206	780	-	300	300	410	340	270	550	550	589	315	32	140	140	430	110	180	279	18.5	25	15	4	3
GSC125-510	200L1-2	710	315	415	320	270	210	526	305	1250	206	780	-	300	300	410	340	270	550	550	589	315	32	140	140	475	110	200	318	18.5	25	19	4	3
GSC125-51A	200L1-2	710	315	415	320	270	210	526	305	1250	206	780	-	300	300	410	340	270	550	550	589	315	32	140	140	475	110	200	318	18.5	25	19	4	3
GSC125-51B	160L-2	645	315	415	320	270	210	501	254	1184	206	780	-	300	300	410	340	270	550	550	589	315	32	140	140	385	90	160	254	18.5	25	15	4	3
GSC125-51C	160M2-2	600	315	415	320	270	210	501	210	1184	206	780	-	300	300	410	340	270	550	550	589	315	32	140	140	385	90	160	254	18.5	25	15	4	3
GSC125-900	280S-2	1000	315	415	320	270	210	614	368	1485	206	933	-	300	300	410	340	270	550	675	589	315	32	140	140	640	110	280	457	18.5	30	24	4	4
GSC125-90A	280S-2	1000	315	415	320	270	210	614	368	1485	206	933	-	300	300	410	340	270	550	675	589	315	32	140	140	640	110	280	457	18.5	30	24	4	4
GSC125-90B	250M-2	925	315	415	320	270	210	592	349	1390	206	875	-	300	300	410	340	270	550	602	589	315	32	140	140	575	110	250	406	18.5	25	24	4	4
GSC125-90C	200L2-2	710	315	415	320	270	210	527	305	1250	206	780	-	300	300	410	340	270	550	550	589	315	32	140	140	475	110	200	318	18.5	25	19	4	4
GSC125-820	280S-2	1000	315	415	320	270	210	614	368	1485	206	933	-	300	300	410	340	270	550	675	589	315	32	140	140	640	110	280	457	18.5	30	24	4	4
GSC125-82A	225M-2	810	315	415	320	270	210	543	311	1310	206	826	-	300	300	410	340	270	550	550	589	315	32	140	140	530	110	225	356	18.5	25	19	4	4
GSC125-82B	200L2-2	710	315	415	320	270	210	527	305	1250	206	780	-	300	300	410	340	270	550	550	589	315	32	140	140	475	110	200	318	18.5	25	19	4	4
GSC125-82C	200L1-2	710	315	415	320	270	210	527	305	1250	206	780	-	300	300	410	340	270	550	550	589	315	32	140	140	475	110	200	318	18.5	25	19	4	4
GSC150-750	280M-2	1050	315	415	320	270	210	614	419	1485	206	933	-	330	330	470	400	330	550	675	634	355	32	170	170	640	110	280	457	18.5	30	24	4	4
GSC150-75A	280S-2	1000	315	415	320	270	210	614	368	1485	206	933	-	330	330	470	400	330	550	675	634	355	32	170	170	640	110	280	457	18.5	30	24	4	4
GSC150-75B	280S-2	1000	315	415	320	270	210	614	368	1485	206	933	-	330	330	470	400	330	550	675	634	355	32	170	170	640	110	280	457	18.5	30	24	4	4
GSC150-75C	250M-2	925	315	415	320	270	210	592	349	1390	206	875	-	330	330	470	400	330	550	602	634	355	32	170	170	575	110	250	406	18.5	25	24	4	4
GSC150-680	280S-2	1000	315	415	320	270	210	614	368	1485	206	933	-	330	330	470	400	330	550	675	634	355	32	170	170	640	110	280	457	18.5	30	24	4	4
GSC150-68A	250M-2	925	315	415	320	270	210	592	349	1390	206	875	-	330	330	470	400	330	550	602	634	355	32	170	170	575	110	250	406	18.5	25	24	4	4
GSC150-68B	225M-2	810	315	415	320	270	210	543	311	1310	206	826	-	330	330	470	400	330	550	550	634	355	32	170	170	530	110	225	356	18.5	25	19	4	4
GSC150-68C	200L2-2	710	315	415	320	270	210	527	305	1250	206	780	-	330	330	470	400	330	550	550	634	355	32	170	170	475	110	200	318	18.5	25	19	4	4
GSC150-1230	315L2-2	1295	381	515	320	270	210	740	508	1700	306	959	-	330	330	470	400	330	550	725	664	355	36	170	170	770	130	315	508	18.5	30	28	4	4
GSC150-123A	315L1-2	1210	381	515	320	270	210	740	508	1700	306	959	-	330	330	470	400	330	550	725	664	355	36	170	170	770	130	315	508	18.5	30	28	4	4
GSC150-123B	315M-2	1210	381	515	320	270	210	740	457	1700	306	959	-	330	330	470	400	330	550	725	664	355	36	170	170	770	130	315	508	18.5	30	28	4	4
GSC150-123C	280M-2	1050	381	515	320	270	210	714	419	1585	306	933	-	330	330	470	400	330	550	675	664	355	36	170	170	640	110	280	457	18.5	30	24	4	4

*All dimension in mm and for reference only, subject to change without prior notice.

Model	Motor	L	L1	L2	L3	L4	L5	L6	L7	L8	L9	L10	L11	B	B1	B2	B3	B4	B5	B6	H	H1	H2	H3	H4	H5	H6	H7	A	d	d4	d5	n4	C
GSC150-119D	315L 1-2	1210	381	515	320	270	210	740	508	1700	306	959	-	330	330	470	400	330	550	725	664	355	36	170	170	770	130	315	508	18.5	30	28	4	4
GSC150-119A	315M-2	1210	381	515	320	270	210	740	457	1700	306	959	-	330	330	470	400	330	550	725	664	355	36	170	170	770	130	315	508	18.5	30	28	4	4
GSC150-119B	315S-2	1155	381	515	320	270	210	740	406	1700	306	959	-	330	330	470	400	330	550	725	664	355	36	170	170	770	130	315	508	18.5	30	28	4	4
GSC150-119C	280S-2	1000	381	515	320	270	210	714	368	1585	306	933	-	330	330	470	400	330	550	675	664	355	36	170	170	640	110	280	457	18.5	30	24	4	4
GSC200-59D	315M-2	1210	381	515	390	340	250	705	457	1740	240	1100	-	370	370	530	450	370	720	720	694	400	36	200	200	770	130	315	508	24	30	28	4	4
GSC200-59A	315S-2	1155	381	515	390	340	250	705	406	1740	240	1100	-	370	370	530	450	370	720	720	694	400	36	200	200	770	130	315	508	24	30	28	4	4
GSC200-59B	280M-2	1050	381	515	390	340	250	679	419	1640	240	1040	-	370	370	530	450	370	720	720	694	400	36	200	200	640	130	280	457	24	25	24	4	4
GSC200-59C	280S-2	1000	381	515	390	340	250	679	368	1640	240	1040	-	370	370	530	450	370	720	720	694	400	36	200	200	640	130	280	457	24	25	24	4	4
GSC200-61D	315M-2	1210	381	515	390	340	250	705	457	1740	240	1100	-	370	370	530	450	370	720	720	694	400	36	200	200	770	130	315	508	24	30	28	4	4
GSC200-61A	315S-2	1155	381	515	390	340	250	705	406	1740	240	1100	-	370	370	530	450	370	720	720	694	400	36	200	200	770	130	315	508	24	30	28	4	4
GSC200-61B	280M-2	1050	381	515	390	340	250	679	419	1640	240	1040	-	370	370	530	450	370	720	720	694	400	36	200	200	640	130	280	457	24	25	24	4	4
GSC200-61C	280S-2	1000	381	515	390	340	250	679	368	1640	240	1040	-	370	370	530	450	370	720	720	694	400	36	200	200	640	130	280	457	24	25	24	4	4
GSC200-108A	315L 2-2	1295	381	515	390	340	250	705	508	1740	240	1100	-	370	370	530	450	370	720	720	714	400	36	200	200	770	130	315	508	24	30	28	4	4
GSC200-108B	315L 1-2	1210	381	515	390	340	250	705	508	1740	240	1100	-	370	370	530	450	370	720	720	714	400	36	200	200	770	130	315	508	24	30	28	4	4
GSC200-108C	315S-2	1155	381	515	390	340	250	705	406	1740	240	1100	-	370	370	530	450	370	720	720	714	400	36	200	200	770	130	315	508	24	30	28	4	4
GSC200-100D	315L 2-2	1295	381	515	390	340	250	705	508	1740	240	1100	-	370	370	530	450	370	720	720	714	400	36	200	200	770	130	315	508	24	30	28	4	4
GSC200-100A	315L 1-2	1210	381	515	390	340	250	705	508	1740	240	1100	-	370	370	530	450	370	720	720	714	400	36	200	200	770	130	315	508	24	30	28	4	4
GSC200-100B	315S-2	1155	381	515	390	340	250	705	406	1740	240	1100	-	370	370	530	450	370	720	720	714	400	36	200	200	770	130	315	508	24	30	28	4	4
GSC200-100C	280M-2	1050	381	515	390	340	250	679	419	1640	240	1040	-	370	370	530	450	370	720	720	714	400	36	200	200	640	130	280	457	24	25	24	4	4
GSC125-140	132S-4	470	315	415	320	270	210	452	140	1050	206	660	-	300	300	410	340	270	550	400	589	315	32	140	140	315	90	132	216	18.5	20	12	4	3
GSC125-14A	112M-4	400	315	415	320	270	210	413	140	1050	206	660	-	300	300	410	340	270	550	400	589	315	32	140	140	265	90	112	190	18.5	20	12	4	3
GSC125-14B	100L 2-4	380	315	415	320	270	210	406	140	1050	206	660	-	300	300	410	340	270	550	400	589	315	32	140	140	245	90	100	160	18.5	20	12	4	3
GSC125-14C	100L 2-4	380	315	415	320	270	210	406	140	1050	206	660	-	300	300	410	340	270	550	400	589	315	32	140	140	245	90	100	160	18.5	20	12	4	3
GSC125-130	112M-4	400	315	415	320	270	210	413	140	1050	206	660	-	300	300	410	340	270	550	400	589	315	32	140	140	265	90	112	190	18.5	20	12	4	3
GSC125-13A	100L 2-4	380	315	415	320	270	210	406	140	1050	206	660	-	300	300	410	340	270	550	400	589	315	32	140	140	245	90	100	160	18.5	20	12	4	3
GSC125-13B	100L 2-4	380	315	415	320	270	210	406	140	1050	206	660	-	300	300	410	340	270	550	400	589	315	32	140	140	245	90	100	160	18.5	20	12	4	3
GSC125-13C	100L 1-4	380	315	415	320	270	210	406	140	1050	206	660	-	300	300	410	340	270	550	400	589	315	32	140	140	245	90	100	160	18.5	20	12	4	3

*All dimension in mm and for reference only, subject to change without prior notice.

Model	Motor	L	L1	L2	L3	L4	L5	L6	L7	L8	L9	L10	L11	B	B1	B2	B3	B4	B5	B6	H	H1	H2	H3	H4	H5	H6	H7	A	d	d4	d5	n4	C
GSC125-22D	160M-4	600	315	415	320	270	210	501	210	1184	206	780	-	300	300	410	340	270	550	550	589	315	32	140	140	385	90	160	254	18.5	25	15	4	3
GSC125-22B	132M-4	508	315	415	320	270	210	452	178	1050	206	660	-	300	300	410	340	270	550	400	589	315	32	140	140	315	90	132	216	18.5	20	12	4	3
GSC125-22C	132S-4	470	315	415	320	270	210	452	140	1050	206	660	-	300	300	410	340	270	550	400	589	315	32	140	140	315	90	132	216	18.5	20	12	4	3
GSC125-21D	160M-4	600	315	415	320	270	210	501	210	1184	206	780	-	300	300	410	340	270	550	550	589	315	32	140	140	385	90	160	254	18.5	25	15	4	3
GSC125-21A	132M-4	508	315	415	320	270	210	452	178	1050	206	660	-	300	300	410	340	270	550	400	589	315	32	140	140	315	90	132	216	18.5	20	12	4	3
GSC125-21B	132S-4	470	315	415	320	270	210	452	140	1050	206	660	-	300	300	410	340	270	550	400	589	315	32	140	140	315	90	132	216	18.5	20	12	4	3
GSC125-21C	112M-4	400	315	415	320	270	210	413	140	1050	206	660	-	300	300	410	340	270	550	400	589	315	32	140	140	265	90	112	190	18.5	20	12	4	3
GSC125-39D	180L-4	710	315	415	320	270	210	515	279	1222	206	780	-	330	330	410	340	270	550	550	624	315	32	140	140	430	110	180	279	18.5	25	15	4	4
GSC125-39A	160L-4	645	315	415	320	270	210	502	254	1184	206	780	-	330	330	410	340	270	550	550	624	315	32	140	140	385	90	160	254	18.5	25	15	4	4
GSC125-39B	160L-4	645	315	415	320	270	210	502	254	1184	206	780	-	330	330	410	340	270	550	550	624	315	32	140	140	385	90	160	254	18.5	25	15	4	4
GSC125-39C	160M-4	600	315	415	320	270	210	502	210	1184	206	780	-	330	330	410	340	270	550	550	624	315	32	140	140	385	90	160	254	18.5	25	15	4	4
GSC125-35D	180M-4	670	315	415	320	270	210	515	241	1222	206	780	-	330	330	410	340	270	550	550	624	315	32	140	140	430	110	180	279	18.5	25	15	4	4
GSC125-35A	160L-4	645	315	415	320	270	210	502	254	1184	206	780	-	330	330	410	340	270	550	550	624	315	32	140	140	385	90	160	254	18.5	25	15	4	4
GSC125-35B	160M-4	600	315	415	320	270	210	502	210	1184	206	780	-	330	330	410	340	270	550	550	624	315	32	140	140	385	90	160	254	18.5	25	15		

Model	Motor	L	L1	L2	L3	L4	L5	L6	L7	L8	L9	L10	L11	B	B1	B2	B3	B4	B5	B6	H	H1	H2	H3	H4	H5	H6	H7	A	d	d4	d5	n4	C
GSC150-290	180M-4	670	315	415	320	270	210	515	241	1222	206	780	-	330	330	470	400	330	550	550	664	355	32	170	170	430	110	180	279	18.5	25	15	4	4
GSC150-29A	160L-4	645	315	415	320	270	210	502	254	1184	206	780	-	330	330	470	400	330	550	550	664	355	32	170	170	385	90	160	254	18.5	25	15	4	4
GSC150-29B	160M-4	600	315	415	320	270	210	502	210	1184	206	780	-	330	330	470	400	330	550	550	664	355	32	170	170	385	90	160	254	18.5	25	15	4	4
GSC150-29C	160M-4	600	315	415	320	270	210	502	210	1184	206	780	-	330	330	470	400	330	550	550	664	355	32	170	170	385	90	160	254	18.5	25	15	4	4
GSC150-520	225M-4	840	315	415	320	270	210	573	311	1310	206	826	-	370	370	470	400	330	550	550	699	355	32	170	170	530	110	225	356	18.5	25	19	4	4
GSC150-52A	225S-4	815	315	415	320	270	210	573	286	1310	206	826	-	370	370	470	400	330	550	550	699	355	32	170	170	530	110	225	356	18.5	25	19	4	4
GSC150-52B	200L-4	710	315	415	320	270	210	527	305	1250	206	780	-	370	370	470	400	330	550	550	699	355	32	170	170	475	110	200	318	18.5	25	19	4	4
GSC150-52C	180L-4	710	315	415	320	270	210	515	279	1222	206	780	-	370	370	470	400	330	550	550	699	355	32	170	170	430	110	180	279	18.5	25	15	4	4
GSC150-510	225M-4	840	315	415	320	270	210	573	311	1310	206	826	-	370	370	470	400	330	550	550	699	355	32	170	170	530	110	225	356	18.5	25	19	4	4
GSC150-51A	200L-4	710	315	415	320	270	210	527	305	1250	206	780	-	370	370	470	400	330	550	550	699	355	32	170	170	475	110	200	318	18.5	25	19	4	4
GSC150-51B	200L-4	710	315	415	320	270	210	527	305	1250	206	780	-	370	370	470	400	330	550	550	699	355	32	170	170	475	110	200	318	18.5	25	19	4	4
GSC150-51C	180M-4	670	315	415	320	270	210	515	241	1222	206	780	-	370	370	470	400	330	550	550	699	355	32	170	170	430	110	180	279	18.5	25	15	4	4
GSC200-140	180M-4	670	381	515	390	340	250	580	241	1345	240	870	-	370	370	530	450	370	620	510	694	400	36	200	200	430	110	180	279	24	25	15	4	4
GSC200-14A	160L-4	645	381	515	390	340	250	567	254	1310	240	845	-	370	370	530	450	370	620	480	694	400	36	200	200	385	110	160	254	24	25	15	4	4
GSC200-14B	160M-4	600	381	515	390	340	250	567	210	1310	240	845	-	370	370	530	450	370	620	480	694	400	36	200	200	385	110	160	254	24	25	15	4	4
GSC200-14C	160M-4	600	381	515	390	340	250	567	210	1310	240	845	-	370	370	530	450	370	620	480	694	400	36	200	200	385	110	160	254	24	25	15	4	4
GSC200-150	160L-4	645	381	515	390	340	250	567	254	1310	240	845	-	370	370	530	450	370	620	480	694	400	36	200	200	385	110	160	254	24	25	15	4	4
GSC200-15A	160M-4	600	381	515	390	340	250	567	210	1310	240	845	-	370	370	530	450	370	620	480	694	400	36	200	200	385	110	160	254	24	25	15	4	4
GSC200-15B	160M-4	600	381	515	390	340	250	567	210	1310	240	845	-	370	370	530	450	370	620	480	694	400	36	200	200	385	110	160	254	24	25	15	4	4
GSC200-15C	160M-4	600	381	515	390	340	250	567	210	1310	240	845	-	370	370	530	450	370	620	480	694	400	36	200	200	385	110	160	254	24	25	15	4	4
GSC200-270	200L-4	710	381	515	390	340	250	592	305	1385	240	915	-	370	370	530	450	370	620	620	714	400	36	200	200	475	110	200	318	24	25	19	4	4
GSC200-27A	180L-4	710	381	515	390	340	250	580	279	1345	240	870	-	370	370	530	450	370	620	510	714	400	36	200	200	430	110	180	279	24	25	15	4	4
GSC200-27B	180M-4	670	381	515	390	340	250	580	241	1345	240	870	-	370	370	530	450	370	620	510	714	400	36	200	200	430	110	180	279	24	25	15	4	4
GSC200-27C	160L-4	645	381	515	390	340	250	567	254	1310	240	845	-	370	370	530	450	370	620	480	714	400	36	200	200	385	110	160	254	24	25	15	4	4
GSC200-250	200L-4	710	381	515	390	340	250	592	305	1385	240	915	-	370	370	530	450	370	620	620	714	400	36	200	200	475	110	200	318	24	25	19	4	4
GSC200-25A	180M-4	670	381	515	390	340	250	580	241	1345	240	870	-	370	370	530	450	370	620	510	714	400	36	200	200	430	110	180	279	24	25	15	4	4
GSC200-25B	160L-4	645	381	515	390	340	250	567	254	1310	240	845	-	370	370	530	450	370	620	480	714	400	36	200	200	385	110	160	254	24	25	15	4	4
GSC200-25C	160M-4	600	381	515	390	340	250	567	210	1310	240	845	-	370	370	530	450	370	620	480	714	400	36	200	200	385	110	160	254	24	25	15	4	4

*All dimension in mm and for reference only, subject to change without prior notice.

Model	Motor	L	L1	L2	L3	L4	L5	L6	L7	L8	L9	L10	L11	B	B1	B2	B3	B4	B5	B6	H	H1	H2	H3	H4	H5	H6	H7	A	d	d4	d5	n4	C
GSC200-470	280S-4	1000	381	515	390	340	250	679	368	1640	240	1040	-	400	400	530	450	370	720	720	744	400	36	200	200	640	130	280	457	24	25	24	4	4
GSC200-47A	250M-4	925	381	515	390	340	250	657	349	1520	240	1000	-	400	400	530	450	370	720	720	744	400	36	200	200	575	130	250	406	24	25	24	4	4
GSC200-47B	225S-4	815	381	515	390	340	250	638	286	1440	240	965	-	400	400	530	450	370	720	570	744	400	36	200	200	530	110	225	356	24	25	19	4	4
GSC200-47C	200L-4	710	381	515	390	340	250	592	305	1385	240	915	-	400	400	530	450	370	620	620	744	400	36	200	200	475	110	200	318	24	25	19	4	4
GSC200-430	250M-4	925	381	515	390	340	250	657	349	1520	240	1000	-	400	400	530	450	370	720	720	744	400	36	200	200	575	130	250	406	24	25	24	4	4
GSC200-43A	225M-4	840	381	515	390	340	250	638	311	1440	240	965	-	400	400	530	450	370	720	570	744	400	36	200	200	530	110	225	356	24	25	19	4	4
GSC200-43B	200L-4	710	381	515	390	340	250	592	305	1385	240	915	-	400	400	530	450	370	620	620	744	400	36	200	200	475	110	200	318	24	25	19	4	4
GSC200-43C	180L-4	710	381	515	390	340	250	580	279	1345	240	870	-	400	400	530	450	370	620	510	744	400	36	200	200	430	110	180	279	24	25	15	4	4
GSC200-760	315S-4	1185	381	515	390	340	250	735	406	1740	240	1100	-	450	450	630	560	480	720	720	789	400	40	200	200	770	130	315	508	24	30	28	4	4
GSC200-76A	280M-4	1050	381	515	390	340	250	679	419	1640	240	1040	-	450	450	630	560	480	720	720	789	400	40	200	200	640	130	280	457	24	25	24	4	4
GSC200-76B	280S-4	1000	381	515	390	340	250	679	368	1640	240	1040	-	450	450	630	560	480	720	720	789	400	40	200	200	640	130	280	457	24	25	24	4	4
GSC200-76C	250M-4	925	381	515	390	340	250	657	349	1520	240	1000	-	450	450	630	560	480	720	720	789	400	40	200	200	575	130	250	406	24	25	24	4	4
GSC200-690	315S-4	1185	381	515	390	340	250	735	406	1740	240	1100	-	450	450	630	560	480	720	720	789	400	40	200	200	770	130	315	508	24	30	28	4	4
GSC200-69A	280S-4	1000	381	515	3																													

Model	Motor	L	L1	L2	L3	L4	L5	L6	L7	L8	L9	L10	L11	B	B1	B2	B3	B4	B5	B6	H	H1	H2	H3	H4	H5	H6	H7	A	d	d4	d5	n4	C
GSC200-350	250M-4	925	381	515	390	340	250	657	349	1520	240	1000	-	400	400	530	450	370	720	720	759	400	36	200	200	575	130	250	406	24	25	24	4	4
GSC200-35A	225M-4	840	381	515	390	340	250	638	311	1440	240	965	-	400	400	530	450	370	720	570	759	400	36	200	200	530	110	225	356	24	25	19	4	4
GSC200-35B	225S-4	815	381	515	390	340	250	638	286	1440	240	965	-	400	400	530	450	370	720	570	759	400	36	200	200	530	110	225	356	24	25	19	4	4
GSC200-35C	200L-4	710	381	515	390	340	250	592	305	1385	240	915	-	400	400	530	450	370	620	620	759	400	36	200	200	475	110	200	318	24	25	19	4	4
GSC200-660	315M-4	1240	433	590	480	430	300	766	457	1920	305	1200	-	450	450	630	560	490	790	790	885	500	40	200	200	770	140	315	508	24	30	28	4	5
GSC200-66A	315S-4	1185	433	590	480	430	300	766	406	1920	305	1200	-	450	450	630	560	490	790	790	885	500	40	200	200	770	140	315	508	24	30	28	4	5
GSC200-66B	280S-4	1000	433	590	480	430	300	710	368	1780	305	1170	-	450	450	630	560	490	790	790	885	500	40	200	200	640	130	280	457	24	30	24	4	5
GSC200-66C	250M-4	925	433	590	480	430	300	688	349	1680	305	1080	-	450	450	630	560	490	790	690	885	500	40	200	200	575	130	250	406	24	30	24	4	5
GSC200-600	315S-4	1185	433	590	480	430	300	766	406	1920	305	1200	-	450	450	630	560	490	790	790	885	500	40	200	200	770	140	315	508	24	30	28	4	5
GSC200-60A	280M-4	1050	433	590	480	430	300	710	419	1780	305	1170	-	450	450	630	560	490	790	790	885	500	40	200	200	640	130	280	457	24	30	24	4	5
GSC200-60B	280S-4	1000	433	590	480	430	300	710	368	1780	305	1170	-	450	450	630	560	490	790	790	885	500	40	200	200	640	130	280	457	24	30	24	4	5
GSC200-60C	225M-4	840	433	590	480	430	300	669	311	1680	305	1080	-	450	450	630	560	490	790	690	885	500	40	200	200	530	130	225	356	24	30	19	4	5
GSC200-105B	315L2-4	1325	433	590	480	430	300	766	508	1920	305	1200	-	600	500	770	700	630	940	790	955	500	42	300	300	770	140	315	508	24	30	28	4	5
GSC200-105C	315M-4	1240	433	590	480	430	300	766	457	1920	305	1200	-	600	500	770	700	630	940	790	955	500	42	300	300	770	140	315	508	24	30	28	4	5
GSC200-90A	315L2-4	1325	433	590	480	430	300	766	508	1920	305	1200	-	600	500	770	700	630	940	790	955	500	42	300	300	770	140	315	508	24	30	28	4	5
GSC200-90B	315L1-4	1240	433	590	480	430	300	766	508	1920	305	1200	-	600	500	770	700	630	940	790	955	500	42	300	300	770	140	315	508	24	30	28	4	5
GSC200-90C	315S-4	1185	433	590	480	430	300	766	406	1920	305	1200	-	600	500	770	700	630	940	790	955	500	42	300	300	770	140	315	508	24	30	28	4	5
GSC250-300	280S-4	1000	433	590	480	430	300	710	368	1780	305	1170	-	450	450	630	560	490	790	790	870	500	42	240	240	640	130	280	457	24	30	24	4	5
GSC250-30A	280S-4	1000	433	590	480	430	300	710	368	1780	305	1170	-	450	450	630	560	490	790	790	870	500	42	240	240	640	130	280	457	24	30	24	4	5
GSC250-30B	250M-4	925	433	590	480	430	300	688	349	1680	305	1080	-	450	450	630	560	490	790	690	870	500	42	240	240	575	130	250	406	24	30	24	4	5
GSC250-30C	225S-4	815	433	590	480	430	300	669	286	1680	305	1080	-	450	450	630	560	490	790	690	870	500	42	240	240	530	130	225	356	24	30	19	4	5
GSC250-280	280S-4	1000	433	590	480	430	300	710	368	1780	305	1170	-	450	450	630	560	490	790	790	870	500	42	240	240	640	130	280	457	24	30	24	4	5
GSC250-28A	250M-4	925	433	590	480	430	300	688	349	1680	305	1080	-	450	450	630	560	490	790	690	870	500	42	240	240	575	130	250	406	24	30	24	4	5
GSC250-28B	225M-4	840	433	590	480	430	300	669	311	1680	305	1080	-	450	450	630	560	490	790	690	870	500	42	240	240	530	130	225	356	24	30	19	4	5
GSC250-28C	225S-4	815	433	590	480	430	300	669	286	1680	305	1080	-	450	450	630	560	490	790	690	870	500	42	240	240	530	130	225	356	24	30	19	4	5
GSC250-520	315L1-4	1240	433	590	480	430	300	766	508	1920	305	1200	-	500	500	630	560	490	790	790	895	500	42	240	240	770	140	315	508	24	30	28	4	5
GSC250-52A	315S-4	1185	433	590	480	430	300	766	406	1920	305	1200	-	500	500	630	560	490	790	790	895	500	42	240	240	770	140	315	508	24	30	28	4	5
GSC250-52B	280M-4	1050	433	590	480	430	300	710	419	1780	305	1170	-	500	500	630	560	490	790	790	895	500	42	240	240	640	130	280	457	24	30	24	4	5
GSC250-52C	280S-4	1000	433	590	480	430	300	710	368	1780	305	1170	-	500	500	630	560	490	790	790	895	500	42	240	240	640	130	280	457	24	30	24	4	5

*All dimension in mm and for reference only, subject to change without prior notice.

Model	Motor	L	L1	L2	L3	L4	L5	L6	L7	L8	L9	L10	L11	B	B1	B2	B3	B4	B5	B6	H	H1	H2	H3	H4	H5	H6	H7	A	d	d4	d5	n4	C
GSC250-480	315M-4	1240	433	590	480	430	300	766	457	1920	305	1200	-	500	500	630	560	490	790	790	895	500	42	240	240	770	140	315	508	24	30	28	4	5
GSC250-48A	280M-4	1050	433	590	480	430	300	710	419	1780	305	1170	-	500	500	630	560	490	790	790	895	500	42	240	240	640	130	280	457	24	30	24	4	5
GSC250-48B	280S-4	1000	433	590	480	430	300	710	368	1780	305	1170	-	500	500	630	560	490	790	790	895	500	42	240	240	640	130	280	457	24	30	24	4	5
GSC250-48C	250M-4	925	433	590	480	430	300	688	349	1680	305	1080	-	500	500	630	560	490	790	690	895	500	42	240	240	575	130	250	406	24	30	24	4	5
GSC250-91B	315L2-4	1325	511	695	480	400	320	887	508	2060	295	670	670	600	500	800	700	600	980	850	1048	600	45	300	300	770	140	315	508	24	30	28	6	6
GSC250-91C	315M-4	1240	511	695	480	400	320	887	457	2060	295	670	670	600	500	800	700	600	980	850	1048	600	45	300	300	770	140	315	508	24	30	28	6	6
GSC250-82A	315L2-4	1325	511	695	480	400	320	887	508	2060	295	670	670	600	500	800	700	600	980	850	1048	600	45	300	300	770	140	315	508	24	30	28	6	6
GSC250-82B	315L1-4	1240	511	695	480	400	320	887	508	2060	295	670	670	600	500	800	700	600	980	850	1048	600	45	300	300	770	140	315	508	24	30	28	6	6
GSC250-82C	315S-4	1185	511	695	480	400	320	887	406	2060	295	670	670	600	500	800	700	600	980	850	1048	600	45	300	300	770	140	315	508	24	30	28	6	6
GSC300-390	315L1-4	1240	511	695	480	400	320	887	508	2060	295	670	670	500	500	800	700	600	980	850	1020	600	45	300	300	770	140	315	508	24	30	28	6	6
GSC300-39A	315M-4	1240	511	695	480	400	320	887	457	2060	295	670	670	500	500	800	700	600	980	850	1020	600	45	300	300	770	140	315	508	24	30	28	6	6
GSC300-39B	280M-4	1050	511	695	480	400	320	831	419	1900	295	620	620	500	500	800	700	600	980	770	1020	600	45	300	300	640	140	280	457	24	30	24	6	

Australia (Head Office)

GPA Pumps Pty Ltd

L23,127 Creek Street,
Brisbane QLD 4000

Tel: +617 3218 1210

Website: www.gpapumps.com

Email: info@gpapumps.com

Singapore

GPA Engineering Corporation Pte Ltd

20 Woodlands Link,
#02-30 Singapore 738733

Tel: +65 6265 2282 Fax: +65 6265 2292

Website: www.gpaengrg.com

Email: info@gpaengrg.com

Malaysia

GPA Pumps (M) Sdn Bhd

(formerly known as Pompe GPA (M) Sdn Bhd)

10-23A, Plaza Azalea,
Persiaran Bandar Raya,
40000 Shah Alam,

Selangor Darul Ehsan, Malaysia.

Tel: +603 5524 1313 Fax: +603 5524 1331

Website: www.gpapumps.com

Email: myinfo@gpapumps.com

Authorized Distributor / Dealer:

TRIMCOR
TRIUMPH MACHINERY CORPORATION
THE PUMP, MOTOR & DRIVES SPECIALIST

www.trimcorph.com