

marathon™

IEC Three-phase Motors
230/380/460V 60Hz (DD/YY/D)
Execution for Philippines



A Regal Brand

REGAL

REGAL

Regal Beloit is a leading manufacturer of electrical and mechanical motion control and power generation products serving markets throughout the world. Regal Beloit products can be found in a vast variety of applications that virtually affect every aspect of life.

A relatively unknown brand, Regal Beloit stands at the forefront of some well-known brands such as Leeson and Marathon Motors, Dutchi Motors, GE Commercial Motors, CMG, etc. Through these brands, RBC has gained a substantial market share and 3.5 billion-plus in turnover worldwide, thereby turning RBC into a major player in the electrical market. All brands represented by RBC have the same characteristics, and deliver the same level of excellence in terms of quality and reliability.

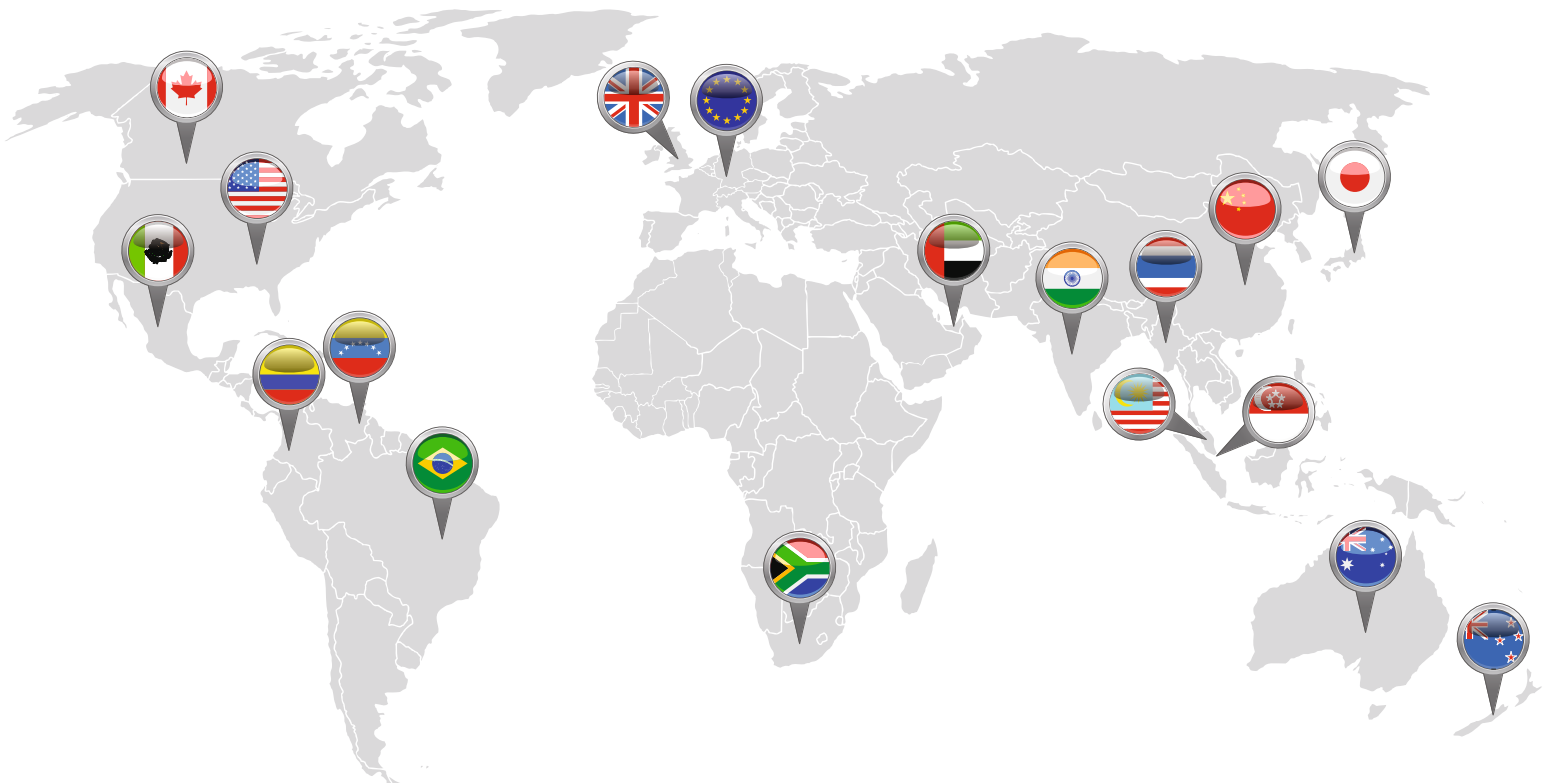
The extensive range of solutions reflects the slogan that Regal products are **"at the heart of what drives our world"**

Our Business Approach Makes the Difference !

In our main location in Eibergen as well as in the other locations in the EU you will find professional and dedicated staff working closely together to meet our customers' needs and requirements! Our service is not just limited to shipping product. We provide solutions not just products!

We believe that the lines of communication in our organisation are short, allowing us to serve the market quickly and always find the correct solution for all our customers effectively. Our employees' years of experience and their commitment to help and serve have earned Marathon the loyalty of their customers.

MARATHON - A Global Promise !



REGAL - Truly Global Electric Motors Manufacturing and Logistics !



Marathon - Quality not compromised !

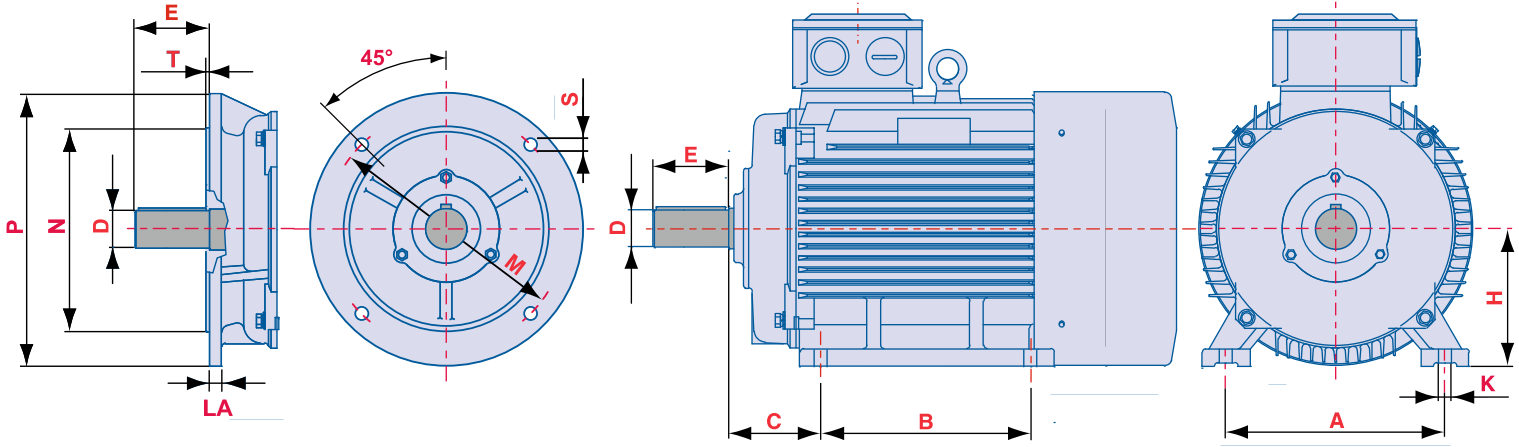
Our skilful and well trained staff can produce or modify motors to Customers' requirements and specifications in short lead time. Extensive stock of motors manufactured at other Regal facilities all over the world is also held at our premises in Eibergen. The stock control in our Oracle ERP system combined with product barcoding enable stock visibility worldwide and efficient distribution of Marathon motors directly to customers.

Our testing laboratory approved by a number marine accreditation bureaus can test low voltage (max 1000V) motors up to 1MW (1.6MW short term) at 50Hz and 60Hz.



B5 - flange ("D" flange)

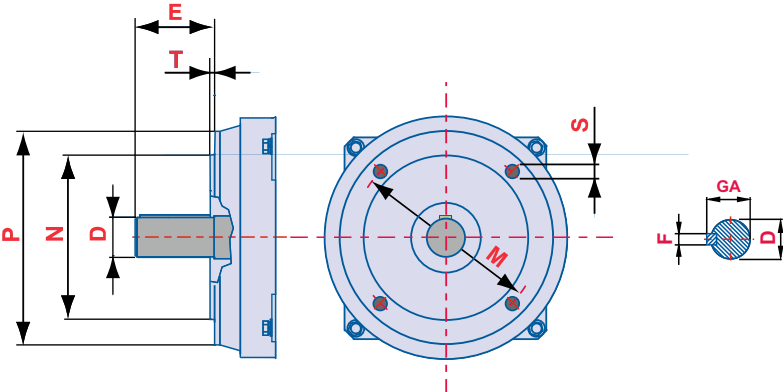
The flange diameter is bigger than the motor frame diameter. The holes are not tapped. B5 flanges are available for all motor sizes.



B3 - foot mounted motor

B14A - flange ("C" face)

The flange diameter is smaller than the motor frame diameter. The holes are tapped. Available for frame sizes 63 to 160 mm.



Frame	H	A	B	C	K	F	GA
63M	63	100	80	40	7 (M6)	4	12.5
71M	71	112	90	45	7 (M6)	5	16
80M	80	125	100	50	10 (M8)	6	21.5
90S	90	140	100	56	10 (M8)	8	27
90L	90	140	125	56	10 (M8)	8	27
100L	100	160	140	63	12 (M10)	8	31
112M	112	190	140	70	12 (M10)	8	31
132S	132	216	140	89	12 (M10)	10	41
132M	132	216	178	89	12 (M10)	10	41
160M	160	254	210	108	15 (M12)	12	45
160L	160	254	254	108	15 (M12)	12	45
180M	180	279	241	121	15 (M12)	14	51.5
180L	180	279	279	121	15 (M12)	14	51.5
200L	200	318	305	133	19 (M16)	16	59
						2p	4-8p
225S	225	356	311	149	19 (M16)	18	64
225M	225	356	311	149	19 (M16)	16	18
250M	250	406	349	168	24 (M20)	18	18
280S	280	457	368	190	24 (M20)	18	20
280M	280	457	419	190	24 (M20)	18	20
315S	315	508	406	216	28 (M24)	18	22
315M	315	508	457	216	28 (M24)	18	22
315L	315	508	508	216	28 (M24)	18	22
355M	355	610	560	254	28 (M24)	22	28
355L	355	610	630	254	28 (M24)	22	28
						2p	4-8p
225S							64
225M						59	64
250M						64	69
280S						69	79.5
280M						69	79.5
315S						69	85
315M						69	85
315L						69	85
355M						85	106
355L						85	106

B14B - flange

The flange diameter is bigger than B14A but smaller than B5 flange. The holes are tapped. Available for frame sizes 63 to 160 mm.

SIZE	Shaft				B5 FLANGE ("D" flange)				B14A FLANGE ("C" face)				B14B FLANGE			
	Diameter D	Length E	PCD M	Spigot N	Diameter P	Hole Dia S	PCD M	Spigot N	Diameter P	Hole S	PCD M	Spigot N	Diameter P	Hole S		
63 frame	11	23	115	95	140	10	75	60	90	M5	100	80	120	M6		
71 frame	14	30	130	110	160	10	85	70	105	M6	115	95	140	M8		
80 frame	19	40	165	130	200	12	100	80	120	M6	130	110	160	M8		
90 frame	24	50	165	130	200	12	115	95	140	M8	130	110	160	M8		
100 frame	28	60	215	180	250	14.5	130	110	160	M8	165	130	200	M10		
112 frame	28	60	215	180	250	14.5	130	110	160	M8	165	130	200	M10		
132 frame	38	80	265	230	300	14.5	165	130	200	M10	215	180	215	M12		
160 frame	42	110	300	250	350	18.5	215	180	250	M12	265	230	300	M12		
180 frame	48	110	300	250	350	18.5	--	--	--	--	--	--	--	--		
200 frame	55	110	350	300	400	18.5	--	--	--	--	--	--	--	--		
Poles	2p	4-8p	2p	4-8p												
225 frame	55	60	110	140	400	350	450	550	18.5	--	--	--	--	--		
250 frame	60	65	140	170	500	450	550	550	18.5	--	--	--	--	--		
280 frame	65	75	140	170	500	450	550	550	18.5	--	--	--	--	--		
315 frame	65	80	140	170	600	550	660	660	24	--	--	--	--	--		
355 frame	75	95	140	170	740	680	800	800	24	--	--	--	--	--		

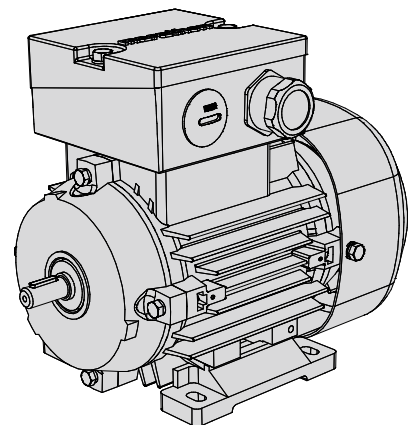
230/380/460V 60Hz (DD/YY/D)

Material	TYPE	Output	Frame Size	Speed	Rated current 60Hz					Power Factor	Efficiency		Rated torque	Ratio			Moment of Inertia	Weight
		60Hz kW		60Hz rpm	220V A	230V A	380V A	440V A	460V A		100% Load %	75% Load %		Starting current	Starting torque	B/down torque		
	3600rpm, 2-pole, 60Hz, IP55, Insulation F/B				230/380/460V 60Hz (DD/YY/D)													
	DMA2-TV 63K-2	0.18	63	3132	1.0	1.0	0.6	0.5	0.5	0.73	62.0	62.0	0.55	3.0	2.5	3.1	0.0010	4
	DMA2-TV 63G-2	0.25	63	3132	1.4	1.3	0.8	0.7	0.7	0.75	64.0	64.0	0.76	3.6	3.1	3.3	0.0011	4
	DMA2-TV 71K-2	0.37	71	3276	1.7	1.7	1.0	0.9	0.8	0.80	70.0	69.8	1.08	5.9	2.8	3.1	0.0035	6
	DMA2-TV 71G-2	0.55	71	3348	2.4	2.3	1.4	1.2	1.2	0.82	72.0	71.9	1.57	6.7	3.7	3.7	0.0040	6
	DMA2-TV 80K-2	0.75	80	3405	3.1	2.9	1.8	1.5	1.5	0.83	77.0	74.1	2.1	6.9	3.3	3.4	0.0080	8
	DMA2-TV 80G-2	1.1	80	3405	4.4	4.2	2.5	2.2	2.1	0.84	78.5	78.5	3.09	7.3	3.1	3.5	0.0090	9
	DMA2-TV 90S-2	1.5	90S	3408	5.8	5.5	3.3	2.9	2.8	0.84	81.0	80.9	4.21	6.1	2.8	3.2	0.0120	13
	DMA2-TV 90L-2	2.2	90L	3426	8.3	8.0	4.8	4.2	4.0	0.85	81.5	81.4	6.14	7.0	3.0	3.1	0.0140	14
	DMA2-TV 100L-2	3	100L	3450	10.9	10.4	6.3	5.4	5.2	0.87	83.1	81.4	8.31	8.4	3.3	4.2	0.0293	20
	DMA2-TV 112M-2	4	112M	3480	14.1	13.5	8.2	7.1	6.8	0.88	84.5	84.3	10.98	7.5	2.2	3.2	0.0550	26
	DMA2-TV 132S-2	5.5	132S	3490	19.1	18.2	11.0	9.5	9.1	0.88	86.0	85.7	15.06	7.4	2.4	3.8	0.1040	33
	DMA2-TV 132Sx-2	7.5	132S	3480	25.6	24.5	14.8	12.8	12.2	0.88	87.5	87.3	20.59	6.7	2.2	3.5	0.1210	37
	DMA2-TV 132M-2	9	132M	3495	30.7	29.3	17.8	15.3	14.7	0.88	87.5	87.3	24.6	7.4	2.6	3.5	0.1350	43
	DMA2-TV 132Mx-2	11	132M	3495	37.5	35.9	21.7	18.7	17.9	0.88	87.5	87.3	30.07	7.9	2.6	3.6	0.1450	47
	1800rpm, 4-pole, 60Hz, IP55, Insulation F/B				230/380/460V 60Hz (DD/YY/D)													
	DMA2-TV 63K-4	0.12	63	1500	0.8	0.7	0.5	0.4	0.4	0.65	62.0	61.8	0.76	2.8	2.2	3.0	0.0012	4
	DMA2-TV 63G-4	0.18	63	1500	1.1	1.0	0.6	0.5	0.5	0.68	66.0	65.8	1.15	2.8	2.2	2.8	0.0014	4
	DMA2-TV 71K-4	0.25	71	1600	1.4	1.4	0.8	0.7	0.7	0.68	68.0	67.8	1.49	4.7	2.6	2.9	0.0042	6
	DMA2-TV 71G-4	0.37	71	1596	2.0	1.9	1.1	1.0	0.9	0.72	69.0	69.8	2.21	4.4	2.5	2.8	0.0047	7
	DMA2-TV 80K-4	0.55	80	1680	2.6	2.5	1.5	1.3	1.2	0.75	74.0	73.8	3.13	4.7	2.5	2.8	0.0180	9
	DMA2-TV 80G-4	0.75	80	1680	3.4	3.3	2.0	1.7	1.6	0.75	77.0	76.8	4.27	5.4	2.9	3.0	0.0200	10
	DMA2-TV 90S-4	1.1	90S	1674	4.7	4.5	2.7	2.4	2.3	0.77	79.0	78.8	6.28	5.5	2.7	2.7	0.0210	13
	DMA2-TV 90L-4	1.5	90L	1690	6.1	5.8	3.5	3.1	2.9	0.79	81.5	81.3	8.48	5.9	2.9	3.1	0.0270	15
	DMA2-TV 100L-4	2.2	100L	1710	8.6	8.2	5.0	4.3	4.1	0.81	83.0	82.9	12.29	6.3	2.1	3.0	0.0540	20
	DMA2-TV 100Lx-4	3	100L	1710	11.6	11.1	6.7	5.8	5.5	0.81	84.1	82.9	16.76	7.3	3.0	3.7	0.0670	23
	DMA2-TV 112M-4	4	112M	1735	15.1	14.4	8.7	7.5	7.2	0.82	85.0	84.8	22.03	7.0	2.3	3.3	0.0860	29
	DMA2-TV 132S-4	5.5	132S	1745	20.0	19.1	11.6	10.0	9.6	0.83	87.0	86.9	30.11	7.3	2.2	3.4	0.1200	33
	DMA2-TV 132M-4	7.5	132M	1745	26.8	25.6	15.5	13.4	12.8	0.84	87.5	87.4	41.06	7.5	2.3	3.6	0.1960	43
	DMA2-TV 132Mx-4	9	132M	1750	32.0	30.6	18.5	16.0	15.3	0.84	87.9	87.7	49.14	8.0	2.6	3.7	0.2500	53
	DMA2-TV 132My-4	11	132M	1750	38.4	36.7	22.2	19.2	18.4	0.85	88.5	88.4	60.05	7.9	2.6	3.3	0.3200	66
	1200rpm, 6-pole, 60Hz, IP55, Insulation F/B				230/380/460V 60Hz (DD/YY/D)													
	DMA2-TV 80K-6	0.37	80	1085	2.2	2.1	1.3	1.1	1.1	0.70	62.0	62.0	3.26	3.5	2.0	2.7	0.0160	9
	DMA2-TV 80G-6	0.55	80	1090	3.0	2.9	1.8	1.5	1.5	0.72	66.0	66.0	4.82	3.4	2.0	2.5	0.0210	9
	DMA2-TV 90S-6	0.75	90S	1105	3.8	3.6	2.2	1.9	1.8	0.72	72.0	72.0	6.48	4.2	2.2	2.6	0.0290	12
	DMA2-TV 90L-6	1.1	90L	1100	5.3	5.0	3.1	2.6	2.5	0.73	75.0	75.0	9.55	4.1	2.4	2.7	0.0350	14
	DMA2-TV 100L-6	1.5	100L	1120	6.8	6.5	3.9	3.4	3.3	0.75	77.0	77.0	12.8	4.6	2.3	2.7	0.0690	20
	DMA2-TV 112M-6	2.2	112M	1140	9.7	9.3	5.6	4.8	4.6	0.76	78.5	78.3	18.44	6.5	2.0	2.6	0.1290	28
	DMA2-TV 132S-6	3	132S	1160	12.6	12.0	7.3	6.3	6.0	0.75	83.5	83.5	24.71	6.1	1.9	3.4	0.2740	38
	DMA2-TV 132M-6	4	132M	1160	16.5	15.8	9.6	8.3	7.9	0.76	83.5	83.3	32.95	6.6	1.8	3.6	0.3430	45
	DMA2-TV 132Mx-6	5.5	132M	1160	22.1	21.1	12.8	11.0	10.5	0.77	85.0	84.8	45.3	7.3	1.9	3.6	0.4310	54
	900rpm, 8-pole, 60Hz, IP55, Insulation F/B				230/380/460V 60Hz (DD/YY/D)													
	DMA2-TV 80K-8	0.18	80	765	1.8	1.8	1.1	0.9	0.9	0.64	40.0	40.0	2.25	3.0	2.4	2.9	0.0115	8
	DMA2-TV 80G-8	0.25	80	770	2.0	1.9	1.2	1.0	1.0	0.64	50.5	50.2	3.1	3.1	2.4	2.9	0.0210	9
	DMA2-TV 90S-8	0.37	90S	810	2.8	2.6	1.6	1.4	1.3	0.61	57.5	57.0	4.36	3.5	2.5	3.0	0.0290	12
	DMA2-TV 90L-8	0.55	90L	810	4.0	3.8	2.3	2.0	1.9	0.61	59.5	58.3	6.49	3.5	2.3	3.0	0.0350	15
	DMA2-TV 100L-8	0.75	100L	825	4.6	4.4	2.7	2.3	2.2	0.67	64.0	63.8	8.69	4.2	2.3	2.9	0.0630	19
	DMA2-TV 100Lx-8	1.1	100L	825	5.7	5.4	3.3	2.8	2.7	0.69	73.5	73.4	12.74	3.8	2.1	2.6	0.0770	22
	DMA2-TV 112M-8	1.5	112M	875	7.5	7.2	4.4	3.8	3.6	0.68	77.0	76.6	16.38	4.2	2.2	2.7	0.1380	29
	DMA2-TV 132S-8	2.2	132S	850	10.4	10.0	6.0	5.2	5.0	0.71	78.0	77.9	24.73	4.9	2.1	2.8	0.2900	39
	DMA2-TV 132M-8	3	132M	850	13.7	13.1	7.9	6.8	6.5	0.73	79.0	78.8	33.72	4.9	1.9	2.8	0.3800	45

Aluminium frame



DATASHEETS



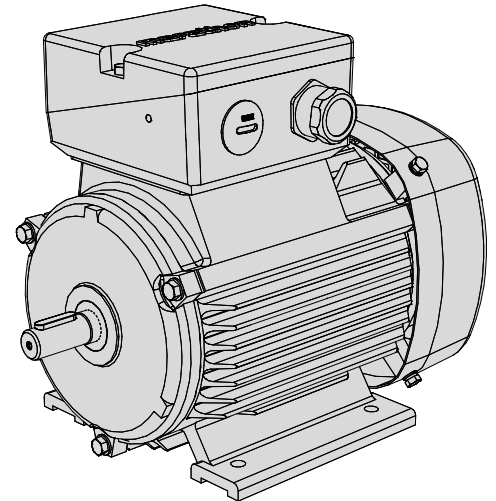
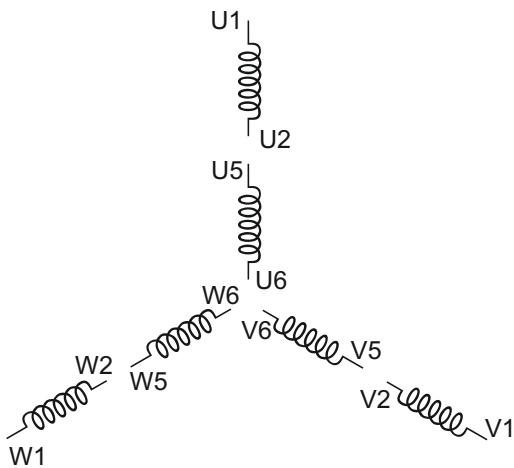
230/380/460V 60Hz (DD/YY/D)

Material	TYPE	Output 60Hz kW	Frame Size	Speed 60Hz rpm	Rated current 60Hz					Power Factor cosφ	Efficiency		Rated torque Nm	Ratio			Moment of Inertia kgm ²	Weight kg
					220V A	230V A	380V A	440V A	460V A		100% Load %	75% Load %		Starting current	Starting torque	B/down torque		
3600rpm, 2-pole, 60Hz, IP55, Insulation F/B					230/380/460V 60Hz (DD/YY/D)													
DM1-TV 80K-2		0.75	80	3405	3.2	3.1	1.9	1.6	1.5	0.83	74.0	74.1	2.1	7.0	2.2	2.3	0.00085	16
DM1-TV 80G-2		1.1	80	3405	4.4	4.2	2.5	2.2	2.1	0.84	78.5	78.5	3.09	7.0	2.2	2.3	0.00110	17
DM1-TV 90S-2		1.5	90S	3408	5.8	5.5	3.3	2.9	2.8	0.84	81.0	80.9	4.21	6.5	3.1	3.3	0.00146	22
DM1-TV 90L-2		2.2	90L	3426	8.3	8.0	4.8	4.2	4.0	0.85	81.5	81.4	6.14	6.5	3.2	3.4	0.00185	25
DM1-TV 100L-2		3	100L	3450	10.9	10.4	6.3	5.4	5.2	0.87	83.1	81.4	8.3	7.5	2.2	2.3	0.00325	33
DM1-TV 112M-2		4	112M	3480	14.1	13.5	8.2	7.1	6.8	0.88	84.5	84.3	11	7.5	2.2	3.2	0.00550	40
DM1-TV 132S-2		5.5	132S	3490	19.1	18.2	11.0	9.5	9.1	0.88	86.0	85.7	15.1	7.4	2.4	3.8	0.01040	59
DM1-TV 132Sx-2		7.5	132S	3480	25.6	24.5	14.8	12.8	12.2	0.88	87.5	87.3	20.6	6.7	2.2	3.5	0.01210	62
DM1-TV 132M-2		9	132M	3495	30.7	29.3	17.8	15.3	14.7	0.88	87.5	87.3	24.6	7.4	2.6	3.5	0.01350	71
DM1-TV 132Mx-2		11	132M	3495	37.5	35.9	21.7	18.7	17.9	0.88	87.5	87.3	30.1	7.9	2.6	3.6	0.01450	75
DM1-TV 160M-2		11	160M	3530	37.1	35.5	21.5	18.5	17.7	0.89	87.5	87.3	29.8	7.8	2.2	2.3	0.04096	107
DM1-TV 160Mx-2		15	160M	3530	50.0	47.8	28.9	25.0	23.9	0.89	88.5	88.6	40.6	7.9	2.2	2.3	0.05072	117
DM1-TV 160L-2		18.5	160L	3530	60.3	57.7	34.9	30.1	28.8	0.90	89.5	89.3	50.1	8.1	2.2	2.3	0.06242	134
DM1-TV 180M-2		22	180M	3545	71.7	68.6	41.5	35.8	34.3	0.90	89.5	89.1	59	8.1	2.0	3.2	0.08100	169
DM1-TV 200L-2		30	200L	3550	97.0	92.8	56.1	48.5	46.4	0.90	90.2	90.2	81	7.5	2.0	2.3	0.15300	220
DM1-TV 200Lx-2		37	200L	3550	118	113	68	59	56	0.90	91.5	91.5	100	7.5	2.0	2.3	0.17300	239
DM1-TV 225M-2		45	225M	3550	143	137	83	72	68	0.90	91.7	91.7	121	7.5	2.0	2.3	0.26800	297
DM1-TV 250M-2		55	250M	3560	174	166	100	87	83	0.90	92.4	92.4	148	8.0	2.0	2.3	0.34132	377
DM1-TV 280S-2		75	280S	3565	233	222	135	116	111	0.91	93.0	92.6	201	8.5	2.0	2.3	0.60100	510
DM1-TV 280M-2		90	280M	3565	279	267	162	140	133	0.91	93.0	92.6	241	8.5	2.0	2.3	0.68300	540
DM1-TV 315S-2		110	315S	3570	341	326	197	171	163	0.91	93.0	93.0	294	7.5	1.8	2.2	1.42318	920
DM1-TV 315M-2		132	315M	3570	405	387	234	202	194	0.91	94.0	94.0	353	7.5	1.8	2.2	1.54430	970
DM1-TV 315L-2		160	315L	3575	485	464	281	243	232	0.92	94.1	94.1	428	7.5	1.8	2.2	1.81682	1080
DM1-TV 315Lx-2		200	315L	3570	613	586	355	306	293	0.91	94.1	94.1	535	7.5	1.8	2.2	2.30131	1170
1800rpm, 4-pole, 60Hz, IP55, Insulation F/B					230/380/460V 60Hz (DD/YY/D)													
DM1-TV 80K-4		0.55	80	1680	2.7	2.6	1.6	1.4	1.3	0.75	71.0	72.8	3.13	5.5	2.4	2.5	0.00131	17
DM1-TV 80G-4		0.75	80	1680	3.4	3.2	1.9	1.7	1.6	0.75	78.0	76.8	4.27	6.0	2.3	2.5	0.00148	18
DM1-TV 90S-4		1.1	90S	1680	4.7	4.5	2.7	2.4	2.3	0.77	79.0	78.8	6.26	6.0	2.3	2.5	0.00212	22
DM1-TV 90L-4		1.5	90L	1695	6.1	5.8	3.5	3.1	2.9	0.79	81.5	81.3	8.45	6.0	2.3	2.5	0.00287	28
DM1-TV 100L-4		2.2	100L	1710	8.6	8.2	5.0	4.3	4.1	0.81	83.0	82.9	12.3	7.0	2.3	2.5	0.00606	34
DM1-TV 100Lx-4		3	100L	1710	11.6	11.1	6.7	5.8	5.5	0.81	84.1	82.9	16.8	7.0	2.3	2.5	0.00779	38
DM1-TV 112M-4		4	112M	1735	15.1	14.4	8.7	7.5	7.2	0.82	85.0	84.8	22	7.0	2.2	2.5	0.00860	44
DM1-TV 132S-4		5.5	132S	1745	20.0	19.1	11.6	10.0	9.6	0.83	87.0	86.9	30.1	7.3	2.2	3.4	0.02050	61
DM1-TV 132M-4		7.5	132M	1745	26.8	25.6	15.5	13.4	12.8	0.84	87.5	87.4	41.1	7.5	2.3	3.6	0.02960	73
DM1-TV 132Mx-4		9	132M	1750	32.0	30.6	18.5	16.0	15.3	0.84	87.9	87.7	49.1	8.0	2.6	3.7	0.03500	78
DM1-TV 160M-4		11	160M	1750	38.4	36.7	22.2	19.2	18.4	0.85	88.5	88.4	60.1	7.4	2.2	2.3	0.08367	113
DM1-TV 160L-4		15	160L	1750	51.7	49.5	30.0	25.9	24.7	0.85	89.5	89.3	81.9	7.5	2.2	2.3	0.10942	133
DM1-TV 180M-4		18.5	180M	1770	63.1	60.4	36.5	31.6	30.2	0.85	90.5	90.7	100	7.7	2.2	3.4	0.13700	167
DM1-TV 180L-4		22	180L	1770	74.6	71.4	43.2	37.3	35.7	0.85	91.0	91.2	119	7.7	2.2	3.2	0.15900	181
DM1-TV 200L-4		30	200L	1770	99.8	95.5	57.8	49.9	47.7	0.86	91.7	91.7	162	7.5	2.2	2.3	0.27300	232
DM1-TV 225S-4		37	225S	1775	121	116	70	60	58	0.87	92.4	92.4	199	7.5	2.2	2.3	0.46900	287
DM1-TV 225M-4		45	225M	1775	146	140	85	73	70	0.87	93.0	93.0	242	7.5	2.2	2.3	0.53800	322
DM1-TV 250M-4		55	250M	1775	176	169	102	88	84	0.88	93.0	93.0	296	7.5	2.2	2.3	0.64827	381
DM1-TV 280S-4		75	280S	1780	243	232	141	121	116	0.87	93.2	92.8	403	8.0	2.2	2.3	1.26700	510
DM1-TV 280M-4		90	280M	1780	291	279	169	146	139	0.87	93.2	92.8	483	8.0	2.2	2.3	1.55200	600
DM1-TV 315S-4		110	315S	1780	351	336	203	175	168	0.88	93.5	93.5	590	7.0	2.1	2.2	2.91799	921
DM1-TV 315M-4		132	315M	1780	417	398	241	208	199	0.88	94.5	94.5	709	7.0	2.1	2.2	3.36691	1002
DM1-TV 315L-4		160	315L	1780	505	483	292	252	241	0.88	94.5	94.5	859	7.0	2.1	2.2	3.92806	1070
DM1-TV 315Lx-4		200	315L	1780	624	597	361	312	298	0.89	94.5	94.5	1073	7.0	2.1	2.2	5.05036	1181
1200rpm, 6-pole, 60Hz, IP55, Insulation F/B					230/380/460V 60Hz (DD/YY/D)													
DM1-TV 80K-6		0.37	80	1090	2.2	2.1	1.3	1.1	1.1	0.70	62.0	62.0	3.24	5.0	1.9	2.2	0.00152	17
DM1-TV 80G-6		0.55	80	1090	3.1	2.9	1.8	1.5	1.5	0.71	66.0	66.0	4.82	5.0	1.9	2.3	0.00194	19
DM1-TV 90S-6		0.75	90S	1105	3.8	3.6	2.2	1.9	1.8	0.72	72.0	72.0	6.48	5.6	2.0	2.3	0.00297	23
DM1-TV 90L-6		1.1	90L	1100	5.3	5.0	3.1	2.6	2.5	0.73	75.0	75.0	9.55	5.6	2.0	2.3	0.00392	25
DM1-TV 100L-6		1.5	100L	1120	6.8	6.5	3.9	3.4	3.3	0.75	77.0	77.0	12.8	6.0	2.0	2.3	0.00745	33
DM1-TV 112M-6		2.2	112M	1140	9.7	9.3	5.6	4.8	4.6	0.76	78.5	78.3	18.4	6.5	2.0	2.6	0.01290	39
DM1-TV 132S-6		3	132S	1160	12.6	12.0	7.3	6.3	6.0	0.75	83.5	83.5	24.7	6.1	1.9	3.4	0.02740	56
DM1-TV 132M-6		4	132M	1160	16.5	15.8	9.6	8.3	7.9	0.76	83.5	83.3	32.9	6.6	1.8	3.6	0.03430	71
DM1-TV 132Mx-6		5.5	132M	1160	22.1	21.1	12.8	11.0	10.5	0.77	85.0	84.8	45.3	7.3	1.9	3.6	0.04310	75
DM1-TV 160M-6		7.5	160M	1170	30.1	28.8	17.4	15.0	14.4	0.77	85.0	85.8	61.2	6.7	2.2	2.1	0.09708	108
DM1-TV 160L-6		11	160L	1170	41.6	39.8	24.1	20.8	19.9	0.78	89.0	88.8	89.8	6.8	2.1	2.1	0.13753	131
DM1-TV 180L-6		15	180L	1170	54.3	51.9	31.4	27.2	26.0	0.81	89.5	89.8	122	7.2	2.1	2.8	0.22000	171
DM1-TV 200L-6		18.5	200L	1170	66.5	63.6	38.5	33.2	31.8	0.81	90.2	90.2	151	7.0	2.1	2.3	0.30200	216
DM1-TV 200Lx-6		22	200L	1176	76.4	73.1	44.3	38.2	36.6	0.83	91.0	91.0	179	7.0	2.1	2.3	0.34200	225
DM1-TV 225M-6		30	225M	1180	102.2	97.8	59.2	51.1	48.9	0.84	91.7	91.7	243	7.0	2.0	2.3	0.57600	292
DM1-TV 250M-6		37	250M	1175	123	118	71	62	59	0.86	91.7	91.7	301	7.5	2.1	2.3	0.93924	408
DM1-TV 280S-6		45	280S	1180	150	143	87	75	72	0.86	91.7	91.2	364	7.5	2.1	2.3	1.47400	465
DM1-TV 280M-6		55	280M	1180	182	174	106	91	87	0.86	92.1	91.6	445	7.5	2.1	2.3	1.73200	540
DM1-TV 315S-6		75	315S	1185	246	235	142	123	118	0.86	93.0	93.0	605	7.0	2.0	2.3	3.33561	861
DM1-TV 315M-6		90	315M	1185	295	282	171	148	141	0.86	93.0	93.0	726	7.0	2.0	2.3	4.00274	940
DM1-TV 315L-6		110	315L	1185	357	341	207	178	171	0.86	94.1	94.1	887	7.0	2.0	2.3	4.89224	1110
DM1-TV 315Lx-6		132																

230/380/460V 60Hz (DD/YY/D)

Material	TYPE	Output 60Hz kW	Frame Size	Speed 60Hz rpm	Rated current 60Hz					Power Factor cosφ	Efficiency		Rated torque Nm	Ratio			Moment of Inertia kgm ²	Weight kg
					220V A	230V A	380V A	440V A	460V A		100% Load %	75% Load %		Starting current	Starting torque	B/down torque		
900rpm, 8-pole, 60Hz, IP55, Insulation F/B					230/380/460V 60Hz (DD/YY/D)													
	DM1-TV 80K-8	0.18	80	765	1.8	1.8	1.1	0.9	0.9	0.64	40.0	40.0	2.25	3.5	1.8	1.9	0.00173	19
	DM1-TV 80G-8	0.25	80	770	2.0	1.9	1.2	1.0	1.0	0.64	50.5	50.4	3.1	3.5	1.8	1.9	0.00204	20
	DM1-TV 90S-8	0.37	90S	810	2.8	2.6	1.6	1.4	1.3	0.61	57.5	57.0	4.36	4.2	1.8	1.9	0.00343	24
	DM1-TV 90L-8	0.55	90L	810	4.0	3.8	2.3	2.0	1.9	0.61	59.5	59.3	6.49	4.2	1.8	2.0	0.00425	25
	DM1-TV 100L-8	0.75	100L	825	4.6	4.4	2.7	2.3	2.2	0.67	64.0	64.1	8.7	4.5	1.8	2.0	0.00598	33
	DM1-TV 100Lx-8	1.1	100L	825	5.7	5.4	3.3	2.8	2.7	0.69	73.5	73.5	12.7	5.0	1.8	2.0	0.00745	34
	DM1-TV 112M-8	1.5	112M	845	7.5	7.2	4.4	3.8	3.6	0.68	77.0	76.8	17	5.0	1.8	2.0	0.01326	39
	DM1-TV 132S-8	2.2	132S	850	10.4	10.0	6.0	5.2	5.0	0.71	78.0	77.9	24.7	4.9	2.1	2.8	0.02900	62
	DM1-TV 132M-8	3	132M	850	13.7	13.1	7.9	6.8	6.5	0.73	79.0	78.8	33.7	4.9	1.9	2.8	0.03800	66
	DM1-TV 160M-8	4	160M	870	17.8	17.0	10.3	8.9	8.5	0.73	81.0	80.9	43.9	6.4	1.9	2.0	0.06876	94
	DM1-TV 160Mx-8	5.5	160M	870	23.2	22.2	13.4	11.6	11.1	0.74	84.0	83.7	60.4	6.6	1.9	2.0	0.09708	106
	DM1-TV 160L-8	7.5	160L	870	30.9	29.5	17.9	15.4	14.8	0.75	85.0	84.8	82.4	6.3	1.9	2.0	0.13753	128
	DM1-TV 180L-8	11	180L	870	43.4	41.5	25.1	21.7	20.8	0.76	87.5	87.8	121	6.8	1.9	2.5	0.21300	170
	DM1-TV 200L-8	15	200L	875	58.5	56.0	33.9	29.3	28.0	0.76	88.5	88.5	164	7.0	2.0	2.3	0.32500	230
	DM1-TV 225S-8	18.5	225S	875	72.2	69.0	41.8	36.1	34.5	0.76	88.5	88.5	202	7.0	1.9	2.0	0.53800	272
	DM1-TV 225M-8	22	225M	875	82.1	78.5	47.5	41.0	39.2	0.78	90.2	90.2	240	7.0	1.9	2.0	0.63900	294
	DM1-TV 250M-8	30	250M	880	110	106	64	55	53	0.79	90.2	90.2	326	7.0	1.9	2.0	0.98868	370
	DM1-TV 280S-8	37	280S	880	135	129	78	68	65	0.79	91.0	90.5	402	7.0	1.9	2.0	1.54700	475
	DM1-TV 280M-8	45	280M	880	164	157	95	82	79	0.79	91.0	90.5	489	7.0	1.9	2.0	1.85700	555
	DM1-TV 315S-8	55	315S	885	195	186	113	97	93	0.81	91.5	91.5	594	7.0	1.8	2.0	3.99323	905
	DM1-TV 315M-8	75	315M	885	264	253	153	132	126	0.81	92.0	92.0	810	7.0	1.8	2.0	5.46899	981
	DM1-TV 315L-8	90	315L	885	311	298	180	156	149	0.82	92.5	92.5	972	7.0	1.8	2.0	6.51071	1071
	DM1-TV 315Lx-8	110	315L	885	381	364	220	190	182	0.82	92.5	92.5	1188	7.0	1.8	2.0	7.63923	1160

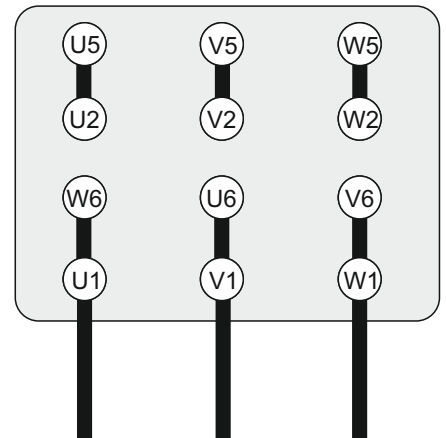
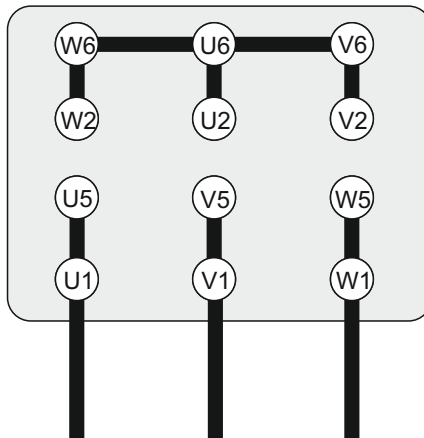
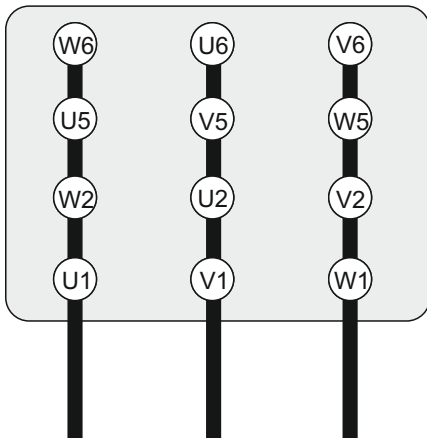
Cast iron motors



(220V) 230V 60Hz (DD)

380V 60Hz (YY)

(440V) 460V 60Hz (D)



Reconnect the winding leads as well as terminal block links.

marathon[™]



Regal Beloit BV
P.O. Box 51
Mors 2
NL-7150 AB Eibergen
The Netherlands

Tel +31-(0)545 464600
www.regalbeloit.eu

©2014 Marathon JH082014 ISSUE 1 Printed in the EU

A Regal Brand

REGAL

www.regalbeloit.com

Authorized Distributor:

www.trimcorph.com

TRIMCOR  **TRIUMPH MACHINERY CORPORATION**
THE PUMP, MOTOR & DRIVES SPECIALIST